

Lingtren LDLI-37 GSL

STANDARD FEATURES

- working temperature: from 0°C to 2°C
- refrigerant: R290
- natural defrosting
- automatic evaporation of condensate
- electronic controller with temperature indicator
- exposition: zinc-plated steel, powder coated in white (RAL 9003)
- worktop: linen stainless steel

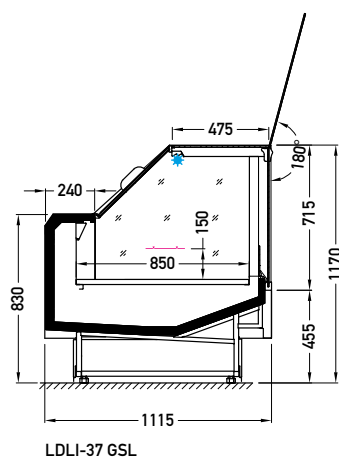
OPTIONS

- PVC floor profiles
- bumper
- sliding back glass doors
- sidewalls



Lingtren LDLI-37 2500 GSL

GSL — glass | single, straight | lift up



AVAILABLE MODULES

1250 1875 2500 3750