



PLUG-IN & REMOTE
COLLECTION



COOL EQUIPMENT
WARM RELATIONS

PLUG-IN



Counters

p. 7

Grazia LDGR-08.....	8	Lingtren LDLI-37.....	10
Grazia LDGR-28.....	9		

Promotion

p. 11

Fiji LDFI-07.....	12	Fiji LDFI-21.....	18
Fiji LDFI-12.....	13	Fiji LDFI-22.....	19
Fiji LDFI-15.....	14	Fiji LDFI-25.....	20
Fiji LDFI-15.....	15		
Fiji LDFI-18.....	16		
Fiji LDFI-19.....	17		

Pastery Line

p. 21

Elegant RDEL-05.....	22	Elegant RDEL-22.....	25
Elegant RDEL-06.....	23	Etna RDET-21.....	26
Elegant RDEL-21.....	24		

Multidecks

p. 27

Kaukaz RDKA-11.....	28	Medium RDME-21.....	33
Kaukaz RDKA-15.....	29	Medium RDME-22.....	34
Medium RDME-10.....	30	Garmo RDGA-L4.....	35
Medium RDME-15.....	31	Garmo RDGA-L5.....	36
Medium RDME-16.....	32		

Semi Vertical Multidecks

p. 37

Atlanta RDAT-10.....	38	Atlanta RDAT-20.....	40
Atlanta RDAT-15.....	39	Atlanta RDAT-30.....	41

Islands

p. 43

Pamir WNPR-01.....	44	Pamir WNPA-15.....	50
Pamir WDPR-01.....	45	Imja WNIJ-05.....	51
Pamir WNPR-04.....	46	Imja WNIJ-06.....	52
Pamir WDPR-04.....	47	Elbrus WNEL-17.....	53
Pamir WNPA-09.....	48	Dolomiti WMDO-03.....	54
Pamir WNPA-10.....	49		

Cabinets

p. 55

Wetar SNWE-02.....	56	Denali SNDE-03/04.....	58
Wetar SNWE-04.....	57		

HOT CASES



Counters

p. 59

Grazia LGGR-28.....	60	Lhotse LGLH-37.....	61
---------------------	----	---------------------	----

REMOTE



Counters

p. 65

Lhotse LDLH-12.....	66	Lhotse LDLH-37.....	68
Lhotse LDLH-36.....	67	Lhotse LDLH-47.....	69

Multidecks

p. 71

Gerlach 2.0 RDGH-H2/H3/H4 .	72	Iberg 2.0 RDIG-L1/L2.....	78
Gerlach 2.0 RDGH-L2/L3/L4.....	74	Kaukaz RDKA-11.....	80
Iberg 2.0 RDIG-H1/H2.....	76		

Semi Vertical Multidecks

p. 81

Andy RDAN-15.....	82	Andy RDAN-31.....	85
Andy RDAN-22.....	83	Andy RDAN-37.....	86
Andy RDAN-23.....	84		

Islands

p. 87

Everest WNEV-06.....	88	Idea WNID-04.....	91
Everest WNEV-17.....	89	Idea WNID-05.....	92
Everest WNEV-27.....	90		

Cabinets

p. 93

Glacier SNGL-H/L.....	94	Mix MNMY-H2/L2.....	95
-----------------------	----	---------------------	----

D – cooling, fan-assisted unit
 N – freezing, fan-assisted unit
 M – freezing, static unit

two letters
 of the product name

Gerlach 2.0 **RDGH** - **H2** - [module]

name of the product
 range

L – counter
 R – multideck
 W – island
 S – cabinet
 M – mix cabinet

identifies
 the model

module length,
 head (crown section)
 or corner

GGG	glazing type	glass type	opening type
BCA	low glass or front glass riser	single, bent	fixed
BSA	low glass or front glass riser	single, straight	fixed
BDA	front glass riser	double, straight	fixed
CCP	cover	single, curved	sliding (slide-up/push)
CCS	cover	single, curved	sliding (sideways)
CSS	cover	single, straight	sliding (sideways)
DBS	door	double, bent	sliding (sideways)
DDS	door	double, straight	sliding (sideways)
DSO	door	single, straight	hinged
DVO	door	double, straight (High Vision)	hinged
DTO	door	triple, straight	hinged

GGG	glazing type	glass type	opening type
GCL	glass	single, bent	lift up
GCT	glass	single, bent	tilt
GSL	glass	single, straight	lift up
GSP	glass	single, straight	sliding (slide-up/push)
GST	glass	single, straight	tilt
GBT	glass	double, bent	tilt
GDT	glass	double, straight	tilt
XXX		no glazing	

...-G... – Head (crown section)

...-NW... – Inside corner

...-NZ... – Outside corner

About us



Many years of experience, state-of-the-art production plant and great location are the few of many factors that contribute to JBG-2's success. Hundreds of satisfied customers around the world especially appreciate our creative approach, flexibility and commitment to the successful completion of every project.

Since the very beginning of our activities in 1989 ecology has been our main concern, both at the stage of the production itself and at the subsequent effect of our products on the environment.

For the sake of quality, we carry out tests in our certified laboratories that meet the requirements of ISO 23953-2:2015. Quality management is based on the ISO 9001:2015 standard.

We are not only manufacturer of refrigeration equipment. Based on many years of experience we created new brand named JBGPV. It is a production of photovoltaic modules, which fits perfectly into the company's portfolio and it makes it even more effective and ecological.

Our team is always ready to go the extra mile to make the cooperation with us successful, satisfying and sustainable.

For over 20 years of our activities, JBG-2 has been awarded with prestigious honor on numerous occasions, for dynamic growth in the refrigeration equipment market.

The NO Defrost system has been valued by the RAC Cooling Awards. We managed to achieve the final stage in 2016 and 2018 in this prestigious competition. Furthermore the energy-efficient solutions have been qualified to the TOP TEN program. In addition, the effort put into improving our devices meant that they got to the prestigious Energy Technology List.

Awards

HIGHLY COMMENDED



This is the jury's distinction in the RAC Cooling Awards final for a device awarded with a high recommendation as a product containing many „best-in-class” solutions.



Our equipment Garmo RDGA-L4-2500, Pamir WDPA-01-1530 and WNPA-01-1530 eco version have been classified to governmental project in Switzerland and Austria. Clients from those countries who will buy devices from Top Ten List can apply for the partial refund of purchase this government program.



On behalf of the UK government Carbon Trust is managed the list of Energy-saving devices (The Energy Technology List). It publishes the devices which have been qualified to promotion of energy efficiency programme (Enhanced Capital Allowance scheme). This programme allows for the tax breaks in connection with using so-called green technology.

NI-G-CTA



p. 7



p. 11



p. 21



p. 27



p. 37



p. 43



p. 55



Counters



Counters

We focus not only on the display of the product, but also ergonomic and multifunctional use. We have created better conditions for product storage, easier cleaning and flexibility in changing the product from with service to self-service.

Designed for natural
(hydrocarbons) refrigerants

GLOBAL WARMING
POTENTIAL (AR4)





PLUG-IN → COUNTERS

Grazia LDGR-08 1250

GCL



Module:

1250



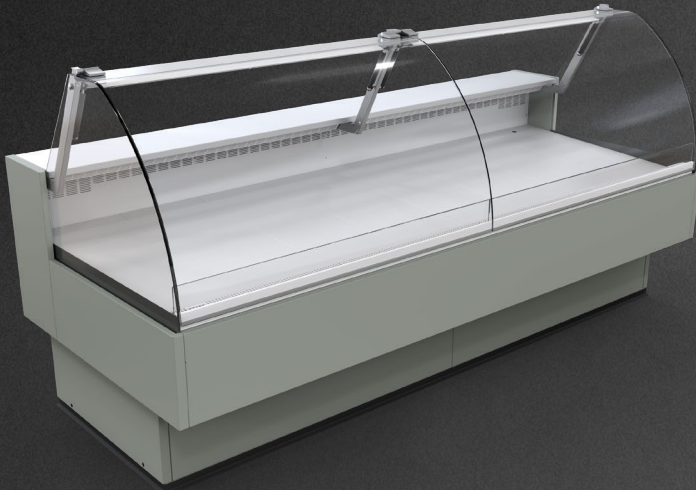
Refrigerant:

R290



Available options:

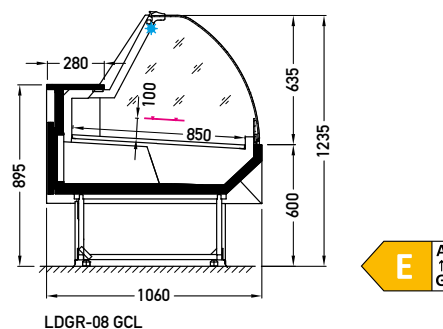
- working temperature – straight module and corners from 0°C to 2°C
- electrical defrosting
- automatic evaporation of condensate
- electronic controller with temperature indicator
- **energy saving fans**
- back doors – quantity according to the module
- exposition: zinc-plated steel, powder coated in white (RAL 9003)
- storage: steel coated in grey
- worktop: linen stainless steel
- **top LEDit lighting** (optionally)
- colour of the base black (RAL 9005)
- no PVC floor profiles (optionally)
- without perspex covers (optionally)
- without sidewalls (optionally)
- bumper (optionally)



Grazia LDGR-08 2500 GCL



Cross sections:



Available modules: 1250 1875 2500 3750
NW45 NZ45



PLUG-IN → COUNTERS

Grazia LDGR-28 1250

GSL | BSA



Module:

1250



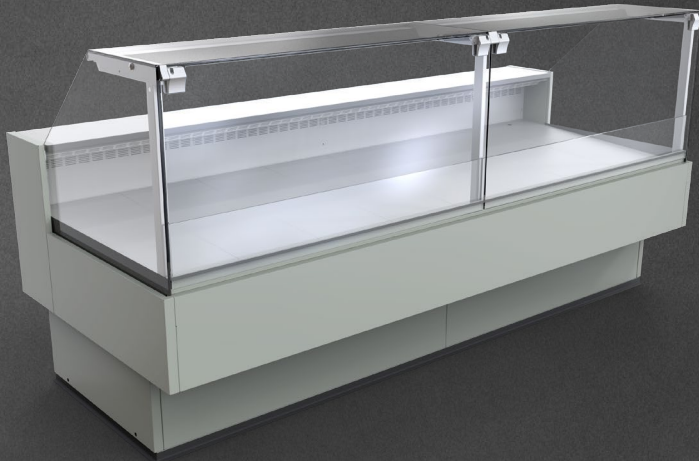
Refrigerant:

R290



Available options:

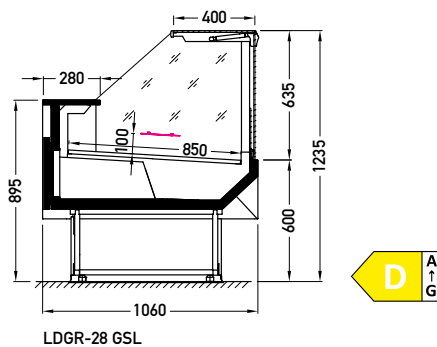
- working temperature – straight module and corners from 0°C to 2°C
- electrical defrosting
- automatic evaporation of condensate
- electronic controller with temperature indicator
- **energy saving fans**
- back doors – quantity according to the module
- exposition: zinc-plated steel, powder coated in white (RAL 9003)
- storage: steel coated in grey
- worktop: linen stainless steel
- **top LEDit lighting** (optionally)
- colour of the base black (RAL 9005)
- no PVC floor profiles (optionally)
- without perspex covers (optionally)
- without sidewalls (optionally)
- bumper (optionally)



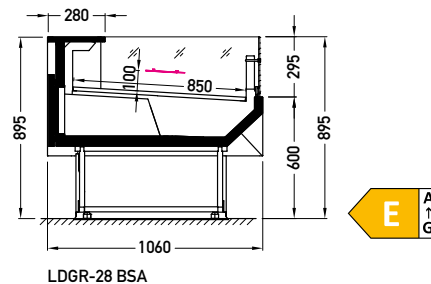
Grazia LDGR-28 2500 GSL



Cross sections:



LDGR-28 GSL



LDGR-28 BSA

Available modules: **BSA GSL** 1250 1875 2500 3750
NW45 NZ45
GSL NZ90



PLUG-IN → COUNTERS

Lingtren LDLI-37 2500

GSL



Lingtren LDLI-37 2500 GSL



Module:

2500



Refrigerant:

R290

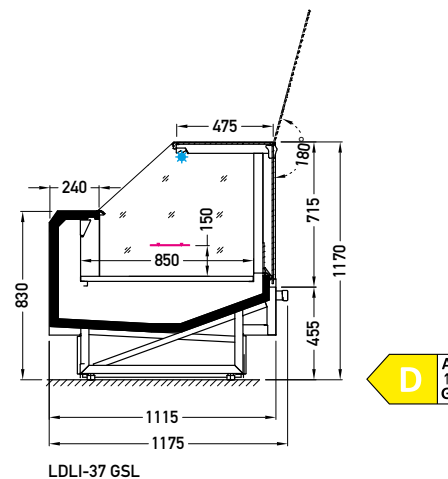


Available options:

- working temperature: from 0°C to 2°C
- natural defrosting
- automatic evaporation of condensate
- electronic controller with temperature indicator
- **energy saving fans**
- exposition: zinc-plated steel, powder coated in white (RAL 9003)
- worktop: linen stainless steel
- **top LEDit lighting** (optionally)
- sliding back glass doors
- without sidewalls (optionally)



Cross sections:



Available modules: 1250 1875 2500 3750

MINI-GUTTER



Promotion

Promotional equipment places your products within arm's reach. They are designed to improve impulse purchase, combining small size with huge selling power. Good product display, high mobility and clever design of equipment, makes promotions more effective.

Designed for natural
(hydrocarbons) refrigerants

GLOBAL WARMING
POTENTIAL (AR4)





PLUG-IN → PROMOTION

Fiji LDFI-07 0700

CSS | BCA



Fiji LDFI-07 0700 BCA



Module:

0700



Refrigerant:

R290

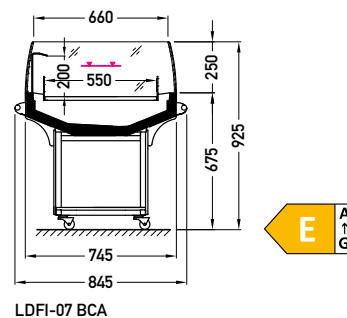
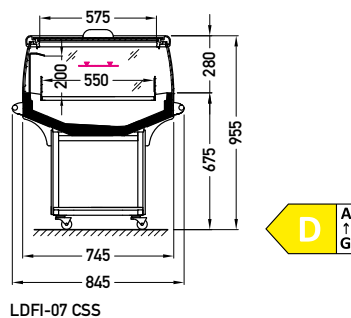


Available options:

- working temperature: BCA from 2°C to 4°C; CSS from 0°C to 2°C;
- natural defrosting
- automatic evaporation of condensate
- electronic controller with temperature indicator
- **energy saving fans**
- exposition: zinc-plated steel, powder coated in white (RAL 9003)
- inox bumper $\varnothing 25$ mm
- colour of the base black (RAL 9005)
- sidewalls glass with black/grey screen printing
- on wheels



Cross sections:



Available modules: 0700 0900



PLUG-IN → PROMOTION

Fiji LDFI-12 0700

CSS | BCA



Module:

0700



Refrigerant:

R290



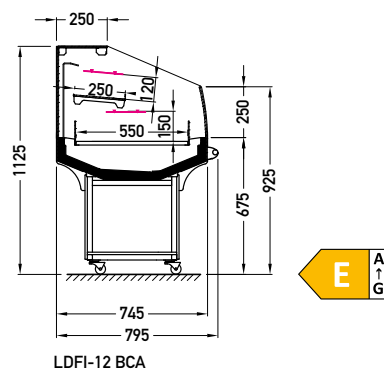
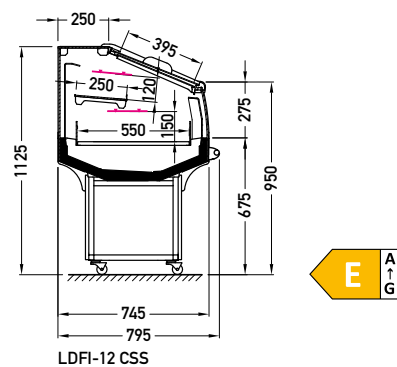
Available options:

- working temperature: from 2°C to 4°C for BCA, from 0°C to 2°C for CSS
- natural defrosting
- automatic evaporation of condensate
- electronic controller with temperature indicator
- **energy saving fans**
- exposition: zinc-plated steel, powder coated in white (RAL 9003)
- inox bumper \varnothing 25 mm
- colour of the base black (RAL 9005)
- sidewalls glass with black/grey screen printing
- on wheels

Fiji LDFI-12 0900 CSS



Cross sections:



Available modules: 0700 0900



PLUG-IN → PROMOTION

Fiji LDFI-15 1250

CCS | CSS | BCA



Module:

1250



Refrigerant:

R290



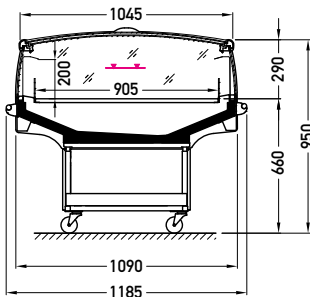
Available options:

- working temperature: from 0°C to 2°C
- electrical defrosting
- automatic evaporation of condensate
- electronic controller with temperature indicator
- **energy saving fans**
- exposition: zinc-plated steel, powder coated in white (RAL 9003)
- inox bumper \varnothing 25 mm
- colour of the base black (RAL 9005)
- sidewalls glass with black/grey screen printing
- on wheels

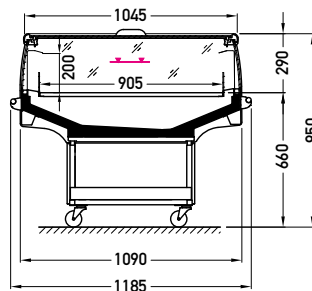
Fiji LDFI-15 1250 BCA



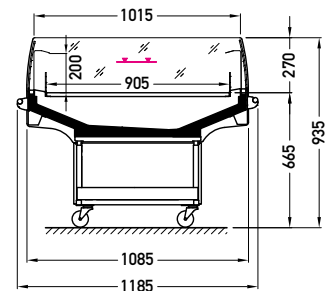
Cross sections:



LDFI-15 CCS



LDFI-15 CSS



LDFI-15 BCA

Available modules: **BCA** 1000 1170 1250 1600
CCS CSS 1250 1600



PLUG-IN → PROMOTION

Fiji LDFI-15 1250 *inverter* CSS



Module:

1250



Refrigerant:

R600a



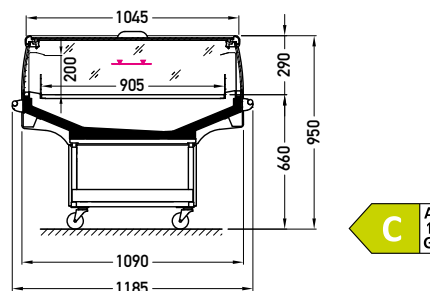
Available options:

- working temperature: from 0°C to 2°C
- electrical defrosting
- automatic evaporation of condensate
- **inverter compressor**
- electronic controller with temperature indicator
- **energy saving fans**
- exposition: zinc-plated steel, powder coated in white (RAL 9003)
- inox bumper \varnothing 25 mm
- colour of the base black (RAL 9005)
- sidewalls glass with black/grey screen printing
- on wheels

Fiji LDFI-15 1250 CSS



Cross sections:



LDFI-15 CSS

Available modules: 1250



PLUG-IN → PROMOTION

Fiji LDFI-18 1250

CSS | BCA



Module:

1250



Refrigerant:

R290



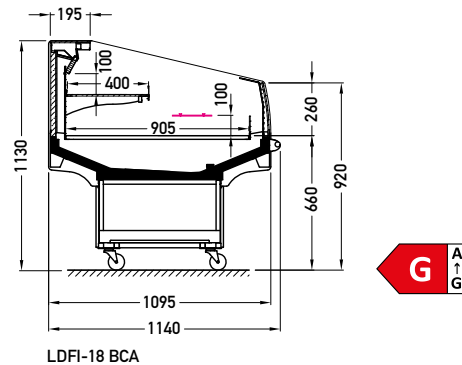
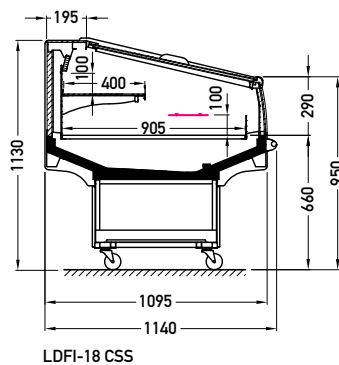
Available options:

- working temperature: from 0°C to 2°C
- electrical defrosting
- automatic evaporation of condensate
- electronic controller with temperature indicator
- **energy saving fans**
- exposition: zinc-plated steel, powder coated in white (RAL 9003)
- inox bumper \varnothing 25 mm
- colour of the base black (RAL 9005)
- sidewalls glass with black/grey screen printing
- mechanical night blind for version BCA
- on wheels

Fiji LDFI-18 1250 CSS



Cross sections:



Available modules: 1250 1600



PLUG-IN → PROMOTION

Fiji LDFI-19 1250

CSS | BCA



Module:

1250



Refrigerant:

R290



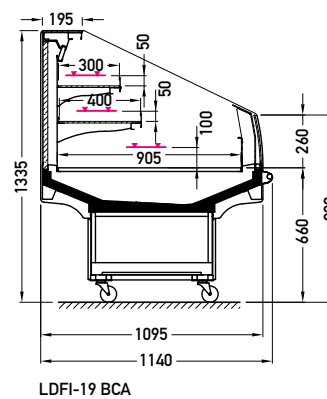
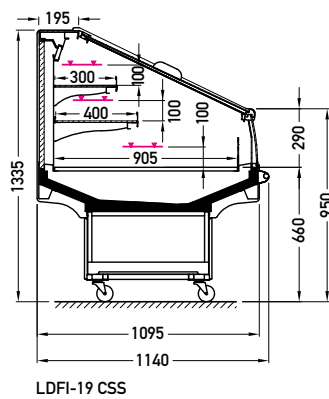
Available options:

- working temperature: from 2°C to 4°C for BCA, from 0°C to 2°C for CSS
- electrical defrosting
- automatic evaporation of condensate
- electronic controller with temperature indicator
- **energy saving fans**
- exposition: zinc-plated steel, powder coated in white (RAL 9003)
- inox bumper \varnothing 25 mm
- colour of the base black (RAL 9005)
- sidewalls glass with black/grey screen printing
- mechanical night blind for version BCA
- on wheels

Fiji LDFI-19 1250 CSS



Cross sections:



Available modules: 1250 1600



PLUG-IN → PROMOTION

Fiji LDFI-21 1000 BCA



Module:

1000



Refrigerant:

R290



Available options:

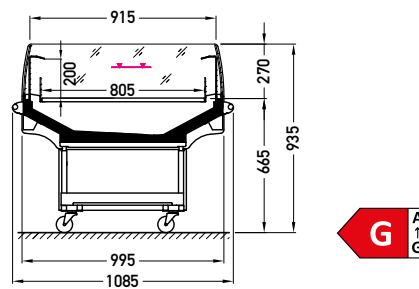
- working temperature: from 0°C to 2°C
- electrical defrosting
- automatic evaporation of condensate
- electronic controller with temperature indicator
- **energy saving fans**
- exposition: zinc-plated steel, powder coated in white (RAL 9003)
- inox bumper $\varnothing 25$ mm
- colour of the base black (RAL 9005)
- sidewalls glass with black/grey screen printing
- on wheels



Fiji LDFI-21 1000 BCA



Cross sections:



LDFI-21 BCA

Available modules: 1000



PLUG-IN → PROMOTION

Fiji LDFI-22 1250 BCA



Fiji LDFI-22 1250 BCA



Module:

1250



Refrigerant:

R290

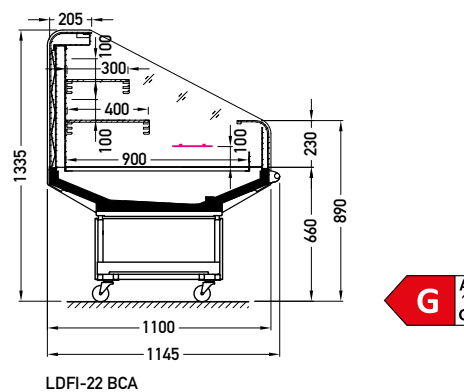


Available options:

- working temperature: from 2°C to 4°C
- electrical defrosting
- automatic evaporation of condensate
- electronic controller with temperature indicator
- **energy saving fans**
- exposition: zinc-plated steel, powder coated in white (RAL 9003)
- 2 glass shelves
- inox bumper \varnothing 25 mm
- colour of the base black (RAL 9005)
- sidewalls, back and air flow channels made of perspex
- mechanical night blind
- on wheels



Cross sections:



Available modules: 1250



PLUG-IN → PROMOTION

Fiji LDFI-25 1250

CSS | BSA



Module:

1250



Refrigerant:

R290



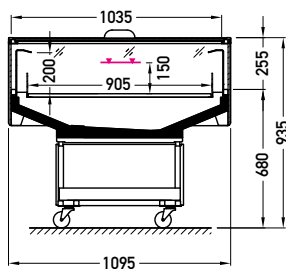
Available options:

- working temperature: for BSA and CSS with integrated sidewalls version from 0°C to 2°C; for BSA version with single glass sidewalls from 2°C to 4°C
- hot gas defrosting
- automatic evaporation of condensate
- electronic controller with temperature indicator
- **energy saving fans**
- exposition: zinc-plated steel, powder coated in white (RAL 9003)
- inox bumper $\varnothing 25$ mm
- colour of the base black (RAL 9005)
- integrated glass with black/grey screen printing; single glass without printing
- on wheels

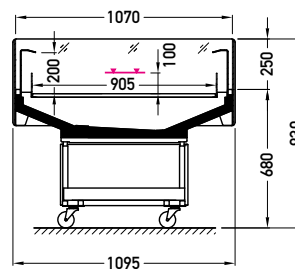
Fiji LDFI-25 1250 CSS



Cross sections:



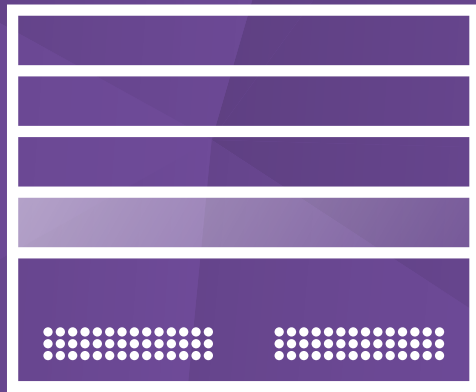
LDFI-25 CSS



LDFI-25 BSA

Available modules: 1250

NI-G-UTa

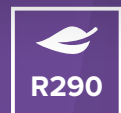


Pastry Line

Celebrating special occasions. Birthday cake for your toddler. Sweet surprise for your sweetheart. Christmas cake, glazed gingerbreads, treats for special moments. Display of these special goods must be perfect. That's why our pastry line is an elegant combination of perfect lighting, transparent clear glass and elegant design.

Designed for natural
(hydrocarbons) refrigerants

GLOBAL WARMING
POTENTIAL (AR4)





PLUG-IN → PASTRY LINE

Elegant RDEL-05 1400 GBT



Elegant RDEL-05 1400 GBT



Module:

1400



Refrigerant:

R290

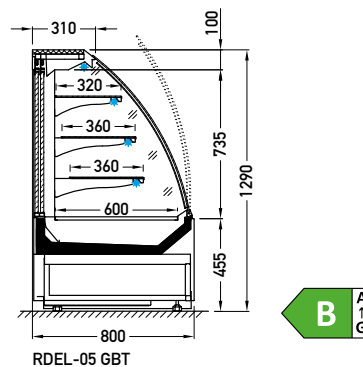


Available options:

- working temperature – straight modules from 0°C to 2°C; corner NW45 from 2°C to 4°C; corner NZ45 from 4°C to 8°C
- electrical defrosting
- automatic evaporation of condensate
- electronic controller with temperature indicator
- **energy saving fans**
- exposition: 3 suspended glass shelves + bottom made of powder coated, zinc-coated metal plate
- shelves support and bottom shelf in grey color RAL 7004
- back doors, sliding, double glazed (in corner and 0600 modules hinged door)
- **lighting – top and each shelf – energy-saving, LEDit, WW-2**
- sidewalls integrated with thermopane glass, with screen printing



Cross sections:



Available modules: 0600 0900 1400
NW45 NZ45



PLUG-IN → PASTRY LINE

Elegant RDEL-06 1400 *self service*

BCA



Elegant RDEL-06 1400 BCA



Module:

1400



Refrigerant:

R290

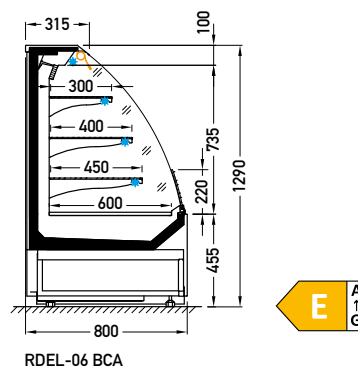


Available options:

- working temperature: from 2°C to 4°C
- electrical defrosting
- automatic evaporation of condensate
- electronic controller with temperature indicator
- **energy saving fans**
- exposition: 3 suspended glass shelves + bottom made of powder coated, zinc-coated metal plate
- shelves support and bottom shelf in grey colour RAL 7004
- **lighting – top and each shelf – energy-saving, LEDit, WW-2**
- sidewalls integrated with thermopane glass, with screen printing
- mechanical night blind



Cross sections:



Available modules: 0600 0900 1200 1400



PLUG-IN → PASTRY LINE

Elegant RDEL-21 0600 GDT



Elegant RDEL-21 1400 GDT



Module:

0600



Refrigerant:

R290

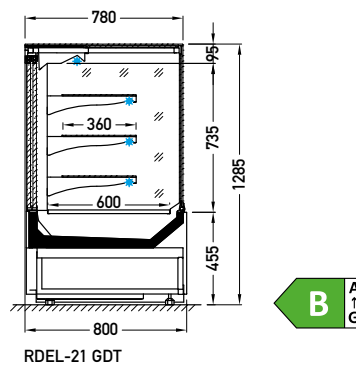


Available options:

- working temperature – straight modules from 2°C to 4°C; corner NZ45 from 2°C to 4°C; corner NZ90 from 4°C to 8°C
- electrical defrosting
- automatic evaporation of condensate
- electronic controller with temperature indicator
- **energy saving fans**
- exposition: 3 suspended glass shelves + bottom made of powder coated, zinc-coated metal plate
- shelves support and bottom shelf in grey colour RAL 7004
- back doors, sliding, double glazed (in corner and 0600 modules hinged door)
- **lighting – top and each shelf – energy-saving, LEDit, WW-2**
- sidewalls integrated with thermopane glass, with screen printing



Cross sections:



RDEL-21 GDT

Available modules: 0600 0900 1400
NZ45 NZ90



PLUG-IN → PASTRY LINE

Elegant RDEL-22 0900 *self service*

BSA



Elegant RDEL-22 1400 BSA



Module:

1400



Refrigerant:

R290

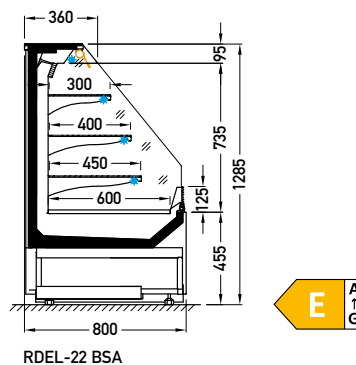


Available options:

- working temperature: from 2°C to 4°C
- electrical defrosting
- automatic evaporation of condensate
- electronic controller with temperature indicator
- **energy saving fans**
- exposition: 3 suspended glass shelves + bottom made of powder coated, zinc-coated metal plate
- shelves support and bottom shelf in grey colour RAL 7004
- **lighting – top and each shelf – energy-saving, LEDit, WW-2**
- sidewalls integrated with thermopane glass, with screen printing
- mechanical night blind



Cross sections:



Available modules: 0600 0900 1400



PLUG-IN → PASTRY LINE

Etna RDET-21 1400

GST



Etna RDET-21 1400 GST



Module:

1400



Refrigerant:

R290

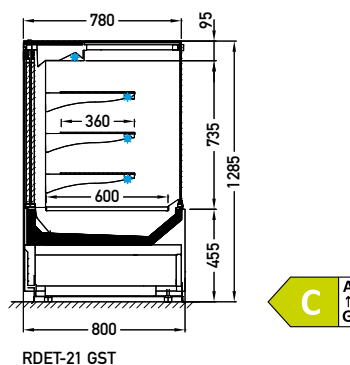


Available options:

- working temperature: from 4°C to 8°C
- electrical defrosting
- automatic evaporation of condensate
- electronic controller with temperature indicator
- **energy saving fans**
- exposition: 3 suspended glass shelves + bottom made of powder coated, zinc-coated metal plate
- shelves support and bottom shelf in grey colour RAL 7004
- back doors, sliding, double glazed
- **lighting – top and each shelf – energy-saving, LEDit, WW-2**
- sidewalls integrated glass, with screen printing



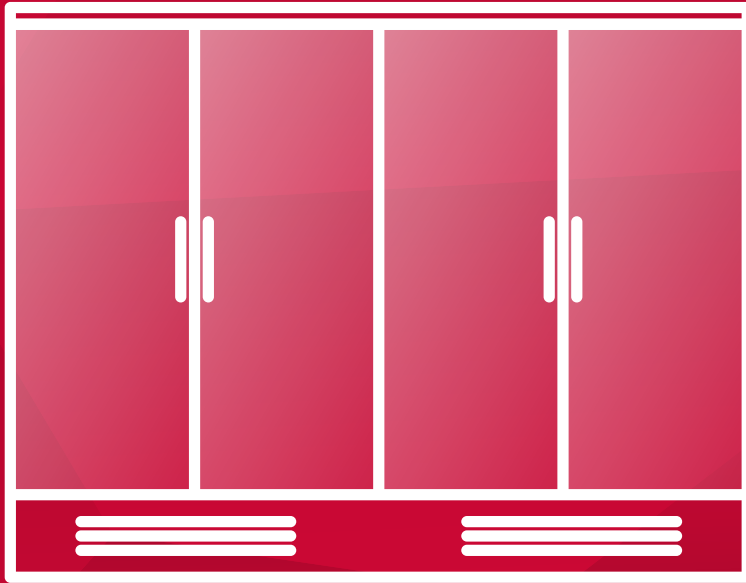
Cross sections:



RDET-21 GST

Available modules: 0900 1400

MULTIDECK



Multidecks

Our desire for continuous improvement and innovation has led us to develop systems and solutions that reduce environmental impact. That is why we have developed a system that eliminates defrost cycle and lowers the energy use.

**Designed for natural
(hydrocarbons) refrigerants**

**GLOBAL WARMING
POTENTIAL (AR4)**





PLUG-IN → MULTIDECKS

Kaukaz RDKA-11 2500 DVO



Module:

2500



Refrigerant:

R290



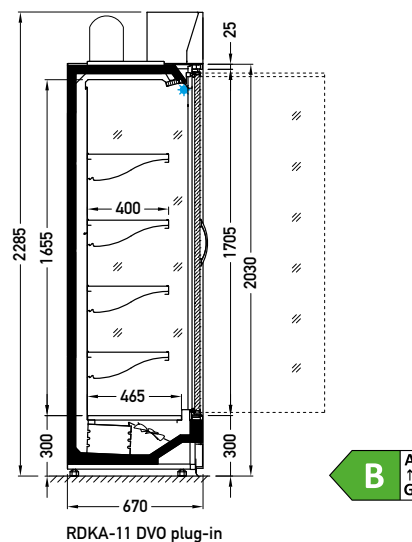
Available options:

- plug-in unit (on top of the unit)
- working temperature: from 0°C to 2°C
- electrical defrosting
- siphoned condensate drains – connection to the sewage system is necessary (optionally – condensate pump)
- electronic controller with temperature indicator
- **energy saving fans**
- exposition: zinc-plated steel, powder coated in white (RAL 9003)
- 4 rows of suspended shelves, on shelves and on air inlet price holders 39 mm
- **lighting: top, LEDit, NW-4**
- colour of the base black (RAL 9005)
- without sidewalls (optionally)

Kaukaz RDKA-11 2500 DVO



Cross sections:



Available modules: 1250 2500 3750



PLUG-IN → MULTIDECKS

Kaukaz RDKA-15 1250 DVO



Kaukaz RDKA-15 1250 DVO



Module:

1250



Refrigerant:

R290

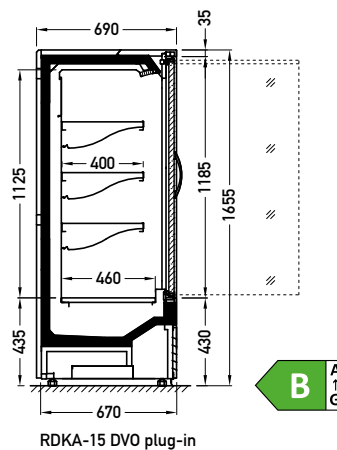


Available options:

- working temperature: from 0°C to 2°C
- natural defrosting
- automatic evaporation of condensate
- electronic controller with temperature indicator
- **energy saving fans**
- exposition: zinc-plated steel, powder coated in white (RAL 9003)
- 3 rows of suspended shelves, on shelves and on air inlet price holders 39 mm
- **lighting: top, LEDit, NW-4**
- colour of the base black (RAL 9005)
- without sidewalls (optionally)



Cross sections:



RDKA-15 DVO plug-in

Available modules: 0900 1250 1875



PLUG-IN → MULTIDECKS

Medium RDME-10 1875

DVO | DDS | BDA



Module:

1875



Refrigerant:

R290



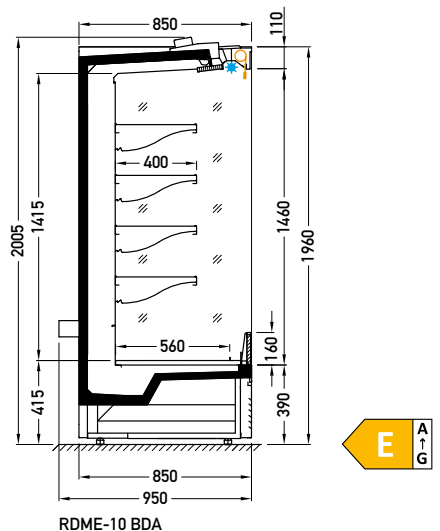
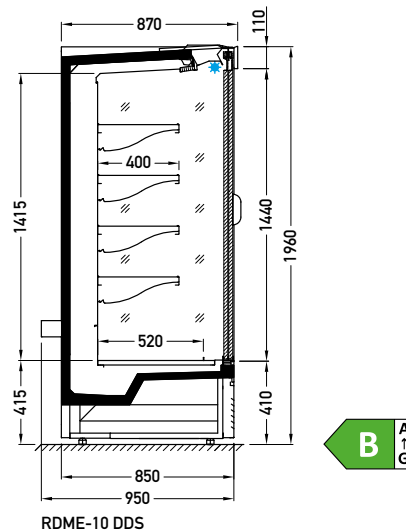
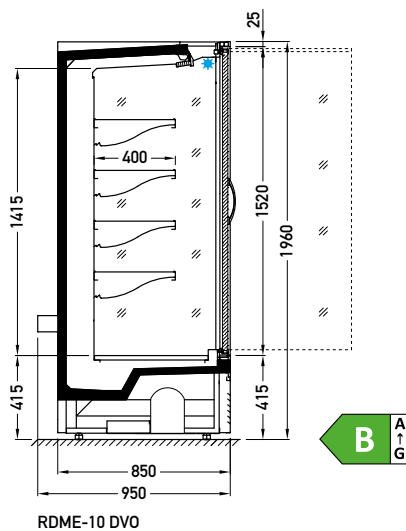
Available options:

- working temperature for BDA: from 2°C to 4°C; for DVO/DDS: from 0°C to 2°C
- natural defrosting
- automatic evaporation of condensate
- electronic controller with temperature indicator
- **energy saving fans**
- exposition: zinc-plated steel, powder coated in white (RAL 9003)
- 4 rows of suspended shelves, on shelves and on air inlet price holders 39 mm
- perspex shelf riser for BDA
- **lighting: top, LEDit, NW-4**
- colour of the base black (RAL 9005)
- without sidewalls (optionally)
- mechanical night blind for version BDA

Medium RDME-10 2500 DVO



Cross sections:



Available modules: 1250 1875 2500



PLUG-IN → MULTIDECKS

Medium RDME-15 0960

DSO | BSA



Module:

0960



Refrigerant:

R290



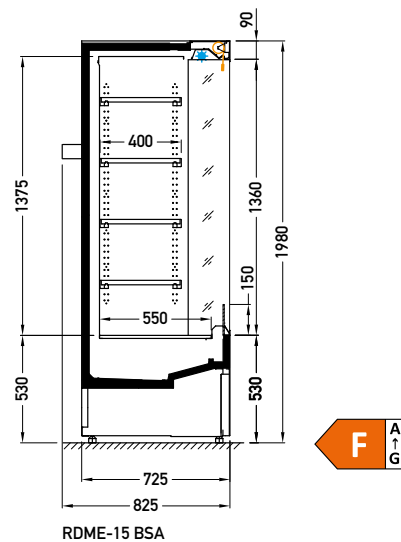
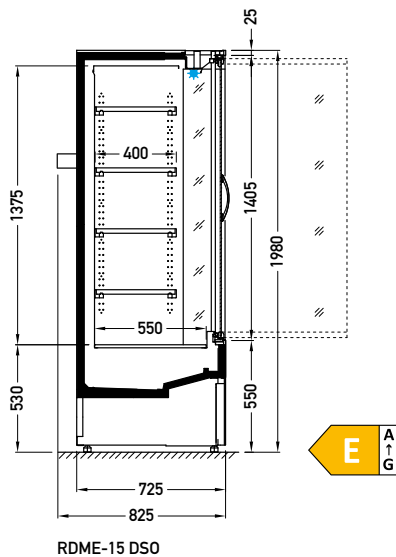
Available options:

- working temperature: from 2°C to 4°C
- natural defrosting
- automatic evaporation of condensate
- electronic controller with temperature indicator
- exposition: zinc-plated steel, powder coated in white (RAL 9003)
- 4 rows of suspended shelves, on shelves and on air inlet price holders 39 mm
- **lighting: top, LEDit, NW-4**
- colour of the base black (RAL 9005)
- integrated 1/3 glazed sidewalls
- mechanical night blind for version BDA

Medium RDME-15 0960 DSO



Cross sections:



Available modules: **BSA** 0660 0960 1310 1935
DSO 0960 1310

modules 0660 available on R290 with energy saving fans



PLUG-IN → MULTIDECKS

Medium RDME-16 1310 BSA



Medium RDME-16 1310 BSA



Module:

1310



Refrigerant:

R290

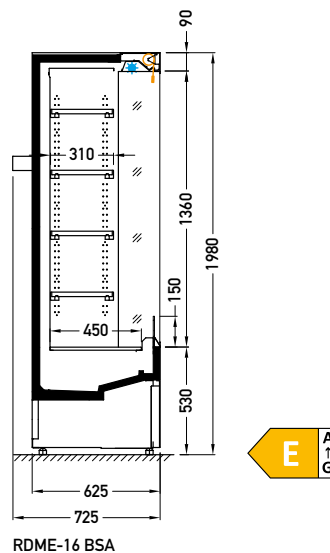


Available options:

- working temperature: from 2°C to 4°C
- natural defrosting
- automatic evaporation of condensate
- electronic controller with temperature indicator
- **energy saving fans**
- exposition: zinc-plated steel, powder coated in white (RAL 9003)
- 4 rows of suspended shelves, on shelves and on air inlet price holders 39 mm
- **lighting: top, LEDit, NW-4**
- colour of the base black (RAL 9005)
- Integrated sidewalls
- mechanical night blind



Cross sections:



Available modules: 0480 0660 1310



PLUG-IN → MULTIDECKS

Medium RDME-21 2500

DVO | DDS | BSA



Medium RDME-21 2500 DVO



Module:

2500



Refrigerant:

R290

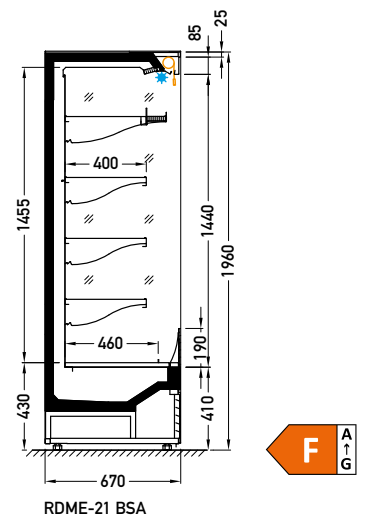
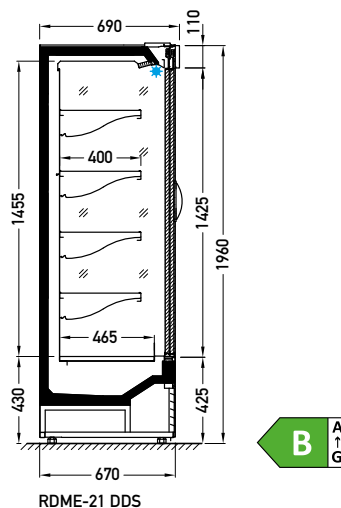
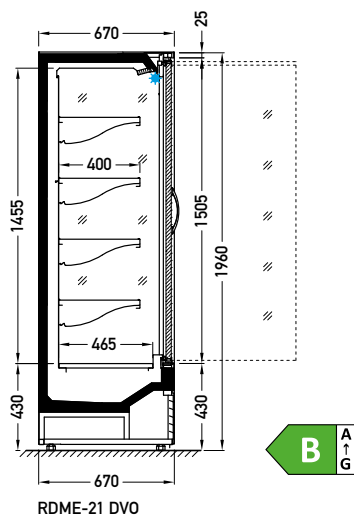


Available options:

- working temperature: for DVO/DDS: from 0°C to 2°C; for BSA: from 2°C to 4°C;
- natural defrosting
- automatic evaporation of condensate
- electronic controller with temperature indicator
- **energy saving fans**
- exposition: zinc-plated steel, powder coated in white (RAL 9003)
- 4 rows of suspended shelves, on shelves and on air inlet price holders 39 mm
- **lighting: top, LEDit, NW-4**
- colour of the base black (RAL 9005)
- without sidewalls (optionally)
- mechanical night blind for version BSA



Cross sections:



Available modules: **DDS DVO** 1250 1875 2500
BSA 2500



PLUG-IN → MULTIDECKS

Medium RDME-22 1250

DVO | DDS | BSA



Module:

1250



Refrigerant:

R290



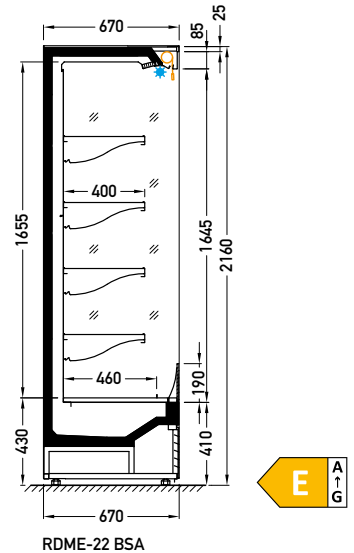
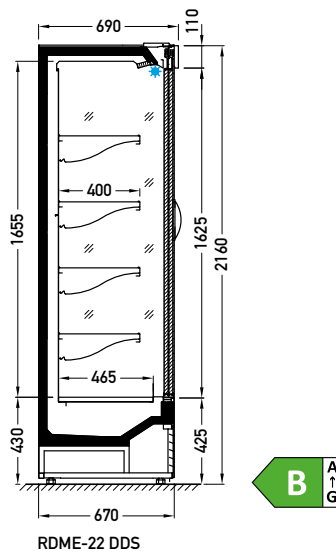
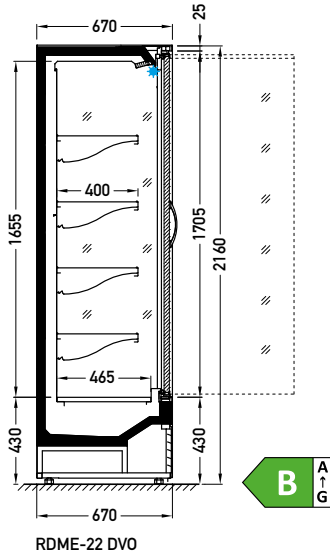
Available options:

- working temperature: DVO/DDS from 0°C to 2°C; BSA 2°C to 6°C
- natural defrosting
- automatic evaporation of condensate
- electronic controller with temperature indicator
- **energy saving fans**
- exposition: zinc-plated steel, powder coated in white (RAL 9003)
- 4 rows of suspended shelves, on shelves and on air inlet price holders 39 mm
- **lighting: top, LEDit, NW-4**
- colour of the base black (RAL 9005)
- without sidewalls (optionally)
- mechanical night blind for version BSA

Medium RDME-22 2500 BSA



Cross sections:



Available modules:	BSA	0900 1250 1600 1875 2500
	DVO	1250 1875 2500
	DDS	1250 1875



PLUG-IN → MULTIDECKS

Garmo RDGA-L4 2500

DVO



Module:

2500



Refrigerant:

R600a



Available options:

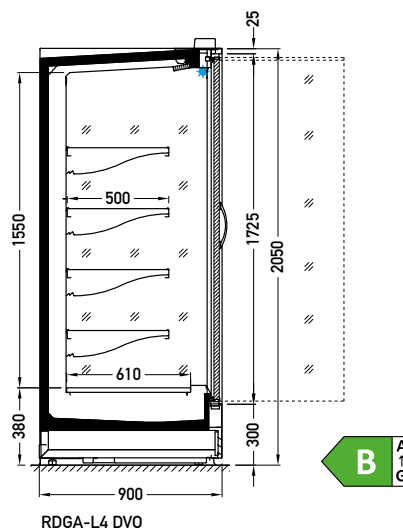
- working temperature: from 0°C to 2°C
- natural defrosting
- automatic evaporation of condensate
- electronic controller with temperature indicator
- **energy saving fans**
- exposition: zinc-plated steel, powder coated in white (RAL 9003)
- 4 rows of suspended shelves, on shelves and on air inlet price holders 39 mm
- **lighting: top, LEDit, NW-4**
- colour of the base black (RAL 9005)
- without sidewalls (optionally)

Garmo RDGA-L4 1875 DVO

HIGHLY COMMENDED



Cross sections:



Available modules: 1250 1875 2500 3750



PLUG-IN → MULTIDECKS

Garmo RDGA-L5 2500

DVO | DDS



Garmo RDGA-L5 2500 DDS



Module:

2500



Refrigerant:

R290

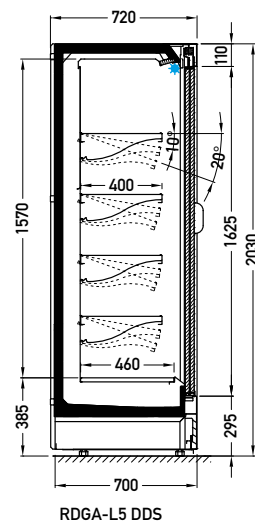
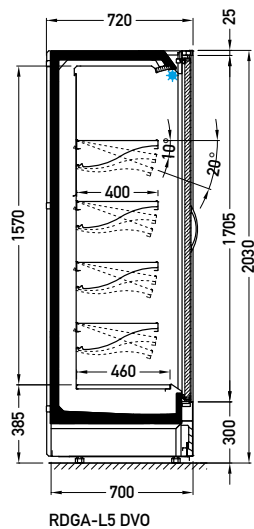


Available options:

- working temperature: from 0°C to 2°C
- hot gas defrosting
- automatic evaporation of condensate
- electronic controller with temperature indicator
- **energy saving fans**
- exposition: zinc-plated steel, powder coated in white (RAL 9003)
- 4 rows of suspended shelves, on shelves and on air inlet price holders 39 mm
- **lighting: top, LEDit, NW-4**
- colour of the base black (RAL 9005)
- without sidewalls (optionally)

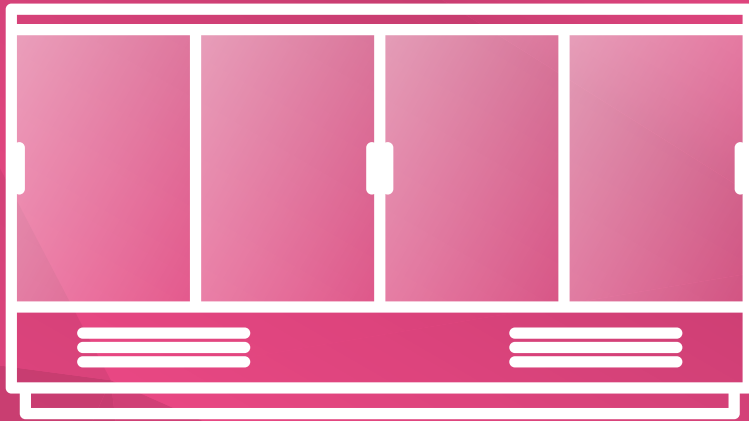


Cross sections:



Available modules: 1000 1250 1600 1875 2500 3750

Multi-Deck



Semi Vertical **Multidecks**

This range of lower height multidecks has been designed to combine compact size and large display area. This solution provides a variety of options for store layout.

Designed for natural
(hydrocarbons) refrigerants

GLOBAL WARMING
POTENTIAL (AR4)





PLUG-IN → SEMI-VERTICAL MULTIDECKS

Atlanta RDAT-10 1180

BSA



Atlanta RDAT-10 1180 BSA



Module:

1180



Refrigerant:

R290

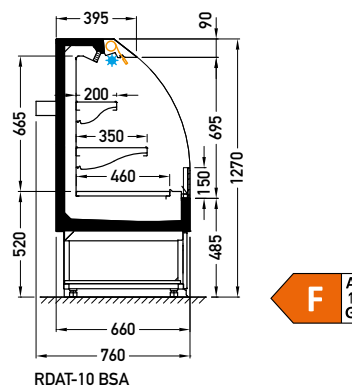


Available options:

- working temperature: from 0°C to 2°C
- natural defrosting
- automatic evaporation of condensate
- electronic controller with temperature indicator
- **energy saving fans**
- exposition: zinc-plated steel, powder coated in white (RAL 9003)
- 2 rows of suspended shelves, on shelves and on air inlet price holders 39 mm
- **lighting: top, LEDit, NW-4**
- colour of the base black (RAL 9005)
- Integrated sidewalls (perspex)
- mechanical night blind



Cross sections:



Available modules: 0880 1180 1875 2500



PLUG-IN → SEMI-VERTICAL MULTIDECKS

Atlanta RDAT-15 1250

DBS | DDS



Module:

1250



Refrigerant:

R290



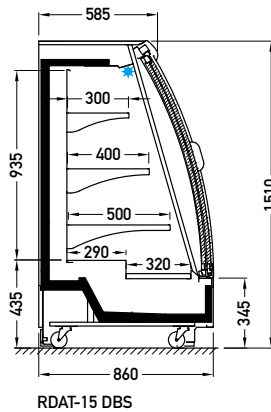
Available options:

- working temperature: from 0°C to 2°C
- natural defrosting
- automatic evaporation of condensate
- electronic controller with temperature indicator
- **energy saving fans**
- exposition: zinc-plated steel, powder coated in white (RAL 9003)
- 3 rows of suspended shelves, on shelves and on air inlet price holders 39 mm
- **lighting: top, LEDit, NW-4**
- colour of the base black (RAL 9005)
- without sidewalls (Sidewalls optionally)
- on wheels

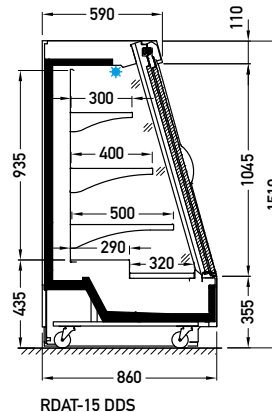
Atlanta RDAT-15 2500 DBS



Cross sections:



RDAT-15 DBS



RDAT-15 DDS

Available modules: 1250 1875 2500



PLUG-IN → SEMI-VERTICAL MULTIDECKS

Atlanta RDAT-20 0880

BSA



Module:

0880



Refrigerant:

R290



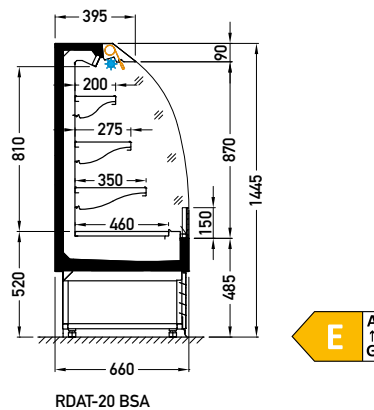
Available options:

- working temperature: from 0°C to 2°C
- natural defrosting
- automatic evaporation of condensate
- electronic controller with temperature indicator
- **energy saving fans**
- exposition: zinc-plated steel, powder coated in white (RAL 9003)
- 3 rows of suspended shelves, on shelves and on air inlet price holders 39 mm
- **lighting: top, LEDit, NW-4**
- colour of the base black (RAL 9005)
- Integrated sidewalls (perspex)
- mechanical night blind

Atlanta RDAT-20 2500 BSA



Cross sections:



Available modules: 0880 1180 1875 2500
0580G



PLUG-IN → SEMI-VERTICAL MULTIDECKS

Atlanta RDAT-30 0980

XXX



Atlanta RDAT-30 0980 XXX



Module:

0980



Refrigerant:

R290

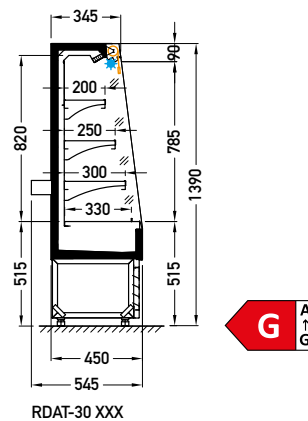


Available options:

- working temperature: from 2°C to 4°C
- natural defrosting
- automatic evaporation of condensate
- electronic controller with temperature indicator
- **energy saving fans**
- exposition: zinc-plated steel, powder coated in white (RAL 9003)
- 3 rows of suspended shelves, on shelves and on air inlet price holders 39 mm
- **lighting: top, LEDit, NW-4**
- colour of the base black (RAL 9005)
- Integrated sidewalls (perspex)
- mechanical night blind



Cross sections:



Available modules: 0980



NI-GRTA



Islands

These are best adapted for spaces, where you do not want to obscure the view. We constantly improve the design of our equipment and we managed to create better side visibility, easier combining into lines, better service access for some parts and better design capabilities with painted vertical corner profiles.

**Designed for natural
(hydrocarbons) refrigerants**

**GLOBAL WARMING
POTENTIAL (AR4)**

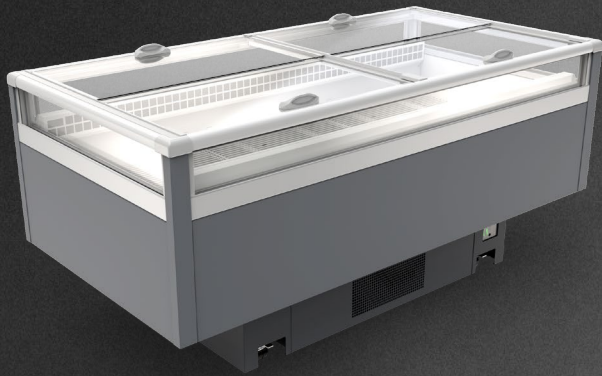




PLUG-IN → ISLANDS

Pamir WNPR-01 2030

CSS | XXX



Module:

2030



Refrigerant:

R290



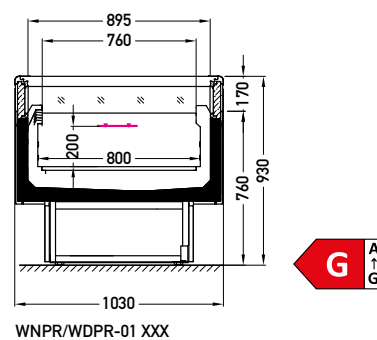
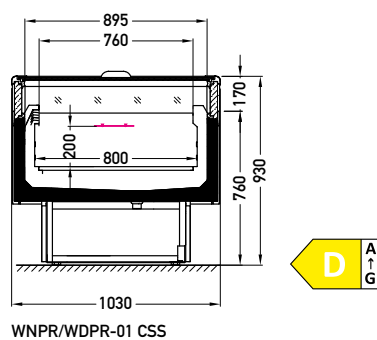
Available options:

- working temperature: from -25°C to -21°C
- hot gas defrosting
- automatic evaporation of condensate
- electronic controller with temperature indicator
- **energy saving fans**
- exposition: zinc-plated steel, powder coated in white (RAL 9003)
- thermopane glass
- colour of the base black (RAL 9005)
- bumper (optionally)
- sidewalls integrated
- LEDit lighting (optionally)
- night cover for version XXX

Pamir WNPR-01 2030 CSS



Cross sections:



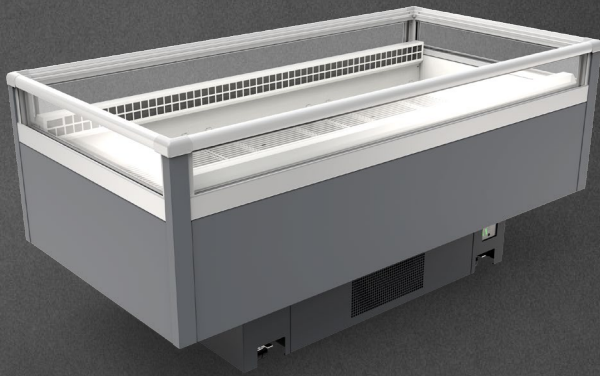
Available modules: 1230 1530 2030 2530



PLUG-IN → ISLANDS

Pamir WDPR-01 2030

CSS | XXX



Module:

2030



Refrigerant:

R290



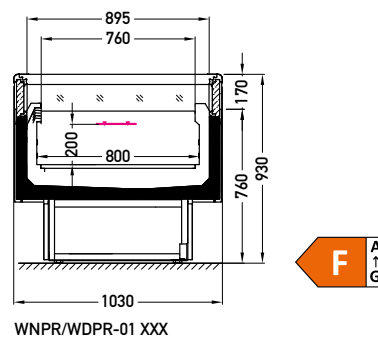
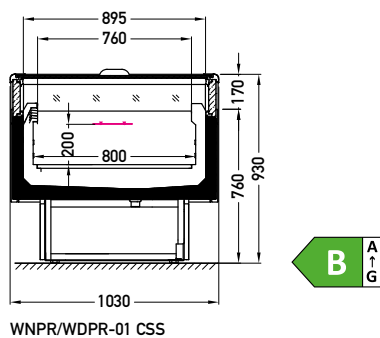
Available options:

- working temperature: from 0°C to 2°C
- hot gas defrosting
- automatic evaporation of condensate
- electronic controller with temperature indicator
- **energy saving fans**
- exposition: zinc-plated steel, powder coated in white (RAL 9003)
- thermopane glass
- colour of the base black (RAL 9005)
- bumper (optionally)
- sidewalls integrated
- LEDit lighting (optionally)

Pamir WDPR-01 2030 XXX



Cross sections:



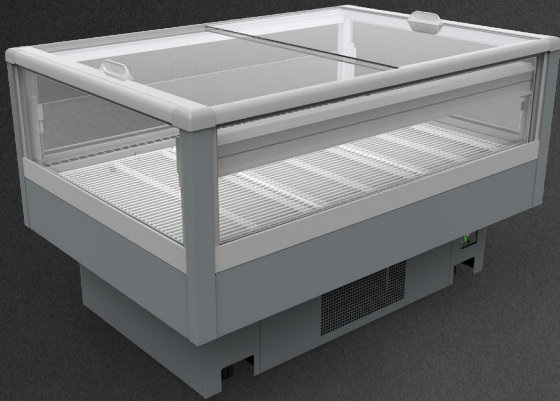
Available modules: 1230 1530 2030 2530



PLUG-IN → ISLANDS

Pamir WNPR-04 1230

CSS | XXX



Module:

1230



Refrigerant:

R290



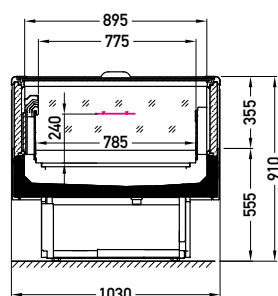
Available options:

- working temperature: from -25°C to -21°C
- hot gas defrosting
- automatic evaporation of condensate
- electronic controller with temperature indicator
- **energy saving fans**
- exposition: zinc-plated steel, powder coated in white (RAL 9003)
- thermopane glass
- colour of the base black (RAL 9005)
- bumper (optionally)
- sidewalls integrated
- LEDit lighting (optionally)
- night cover for version XXX

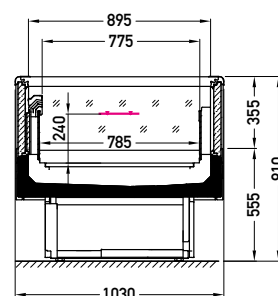
Pamir WNPR-04 1530 CSS



Cross sections:



WNPR/WDPR-04 CSS



WNPR/WDPR-04 XXX

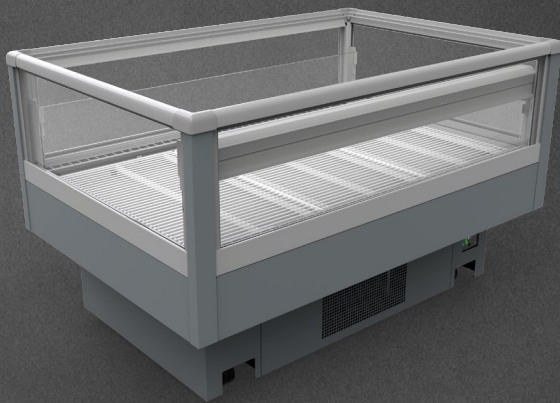
Available modules: **CSS** 1230 1530 2030 2530
XXX 1230 1530 2030



PLUG-IN → ISLANDS

Pamir WDPR-04 1530

CSS | XXX



Module:

1530



Refrigerant:

R290



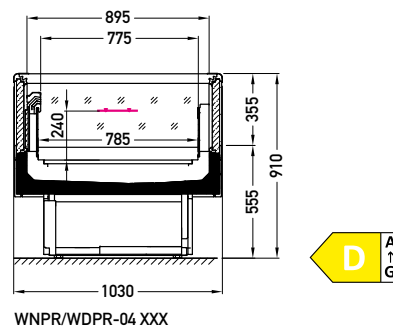
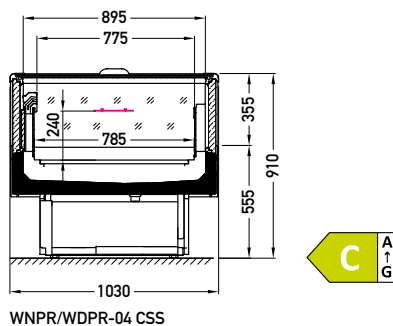
Available options:

- working temperature: from 0°C to 2°C
- hot gas defrosting for modules 1530/2530 CSS; electrical defrosting for modules 2030 CSS/ all XXX
- automatic evaporation of condensate
- electronic controller with temperature indicator
- **energy saving fans**
- exposition: zinc-plated steel, powder coated in white (RAL 9003)
- thermopane glass
- colour of the base black (RAL 9005)
- bumper (optionally)
- sidewalls integrated
- LEDit lighting (optionally)

Pamir WDPR-04 1530 XXX



Cross sections:

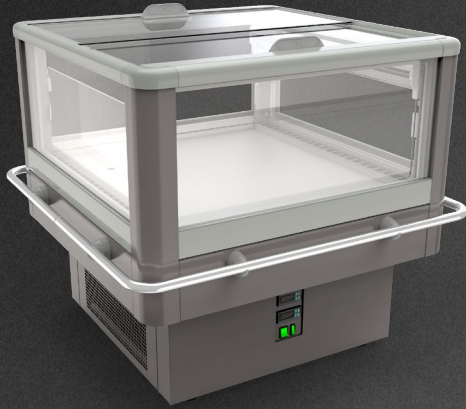


Available modules: 1530 2030 2530



PLUG-IN → ISLANDS

Pamir WNPA-09 0905 CSS



Module:

0905



Refrigerant:

R290



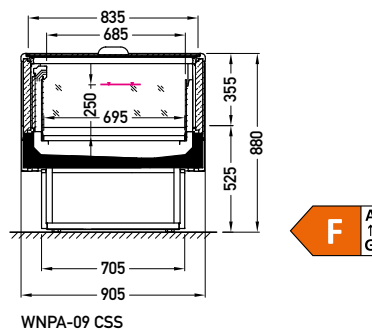
Available options:

- working temperature: from -25°C to -21°C
- hot gas defrosting
- automatic evaporation of condensate
- electronic controller with temperature indicator
- **energy saving fans**
- exposition: zinc-plated steel, powder coated in white (RAL 9003)
- thermopane glass
- colour of the base black (RAL 9005)
- bumper (optionally)
- sidewalls integrated
- LEDit lighting (optionally)

Pamir WNPA-09 0905 CSS



Cross sections:

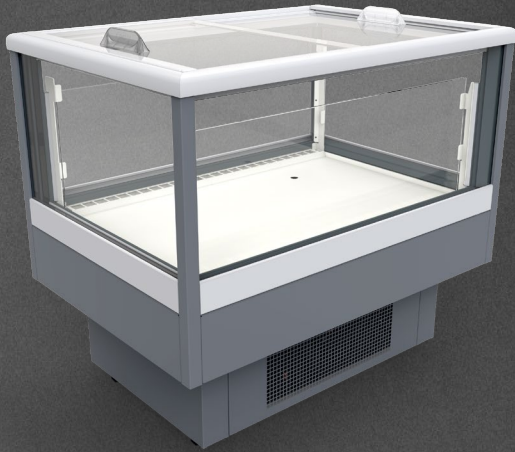


Available modules: 0905



PLUG-IN → ISLANDS

Pamir WNPA-10 1010 CSS



Module:

1010



Refrigerant:

R290



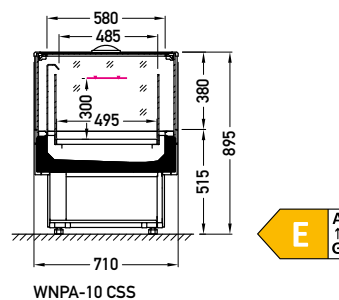
Available options:

- working temperature: from -25°C to -21°C
- hot gas defrosting
- automatic evaporation of condensate
- electronic controller with temperature indicator
- **energy saving fans**
- exposition: zinc-plated steel, powder coated in white (RAL 9003)
- thermopane glass
- colour of the base black (RAL 9005)
- bumper (optionally)
- sidewalls integrated
- LEDit lighting (optionally)

Pamir WNPA-10 1010 CSS



Cross sections:



Available modules: 1010



PLUG-IN → ISLANDS

Pamir WNPA-15 1220

CSS



Module:

1220



Refrigerant:

R290



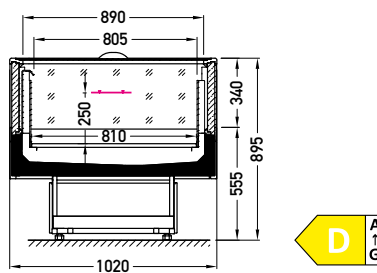
Available options:

- working temperature: from -25°C to -21°C
- hot gas defrosting
- automatic evaporation of condensate
- electronic controller with temperature indicator
- **energy saving fans**
- exposition: zinc-plated steel, powder coated in white (RAL 9003)
- thermopane glass
- colour of the base black (RAL 9005)
- bumper (optionally)
- sidewalls integrated
- LEDit lighting (optionally)

Pamir WNPA-15 1220 CSS



Cross sections:



WNPA-15 CSS

Available modules: 1220



PLUG-IN → ISLANDS

Imja WNIJ-05 1875 CCS



Module:

1875



Refrigerant:

R290



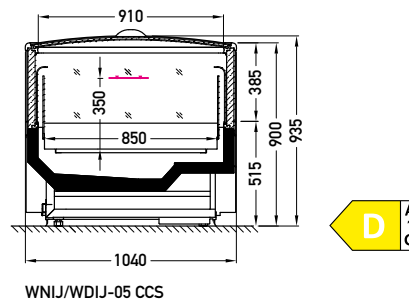
Available options:

- working temperature: from -25°C to -21°C
- hot gas defrosting
- automatic evaporation of condensate
- electronic controller with temperature indicator
- **energy saving fans**
- exposition: zinc-plated steel, powder coated in white (RAL 9003)
- thermopane glass (4 side glass)
- colour of the base black (RAL 9005)
- without sidewalls (optionally)
- LEDit lighting (optionally)

Imja WNIJ-05 2500 CCS



Cross sections:



Available modules: 1875 2500



PLUG-IN → ISLANDS

Imja WNIJ-06 1875 CCS



Module:

1875



Refrigerant:

R290



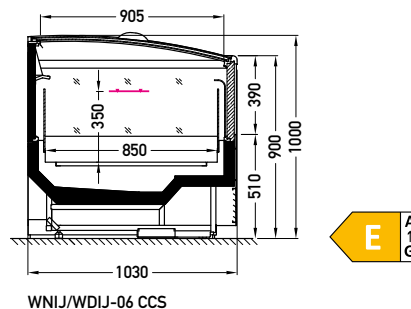
Available options:

- working temperature: from -25°C to -21°C
- hot gas defrosting
- automatic evaporation of condensate
- electronic controller with temperature indicator
- **energy saving fans**
- exposition: zinc-plated steel, powder coated in white (RAL 9003)
- thermopane glass (3 side glass)
- colour of the base black (RAL 9005)
- without sidewalls (optionally); in module 1945G sidewalls integrated
- LEDit lighting (optionally)

Imja WNIJ-06 2500 CCS



Cross sections:



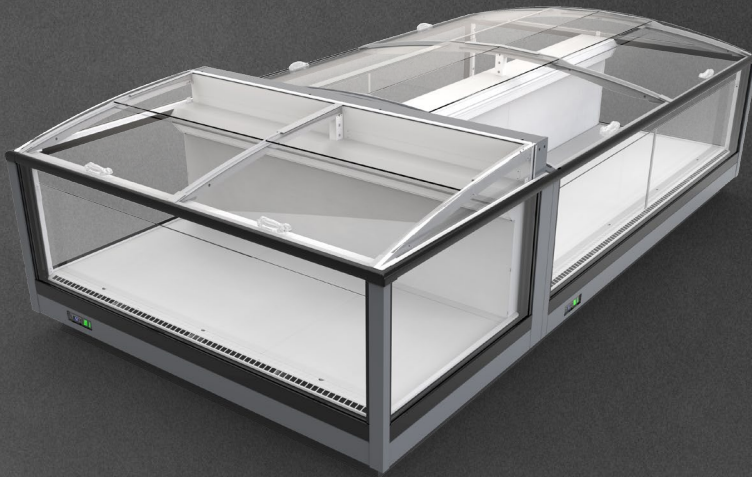
WNIJ/WDIJ-06 CCS

Available modules: 1875 2500
2150G



PLUG-IN → ISLANDS

Elbrus WNEL-17 2500 CCP



Module:

2500



Refrigerant:

R290



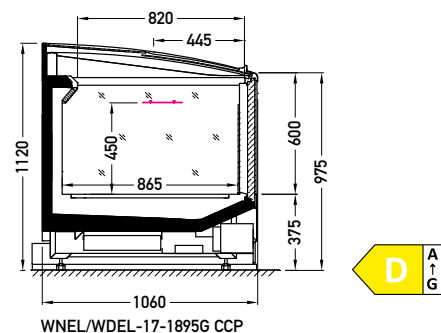
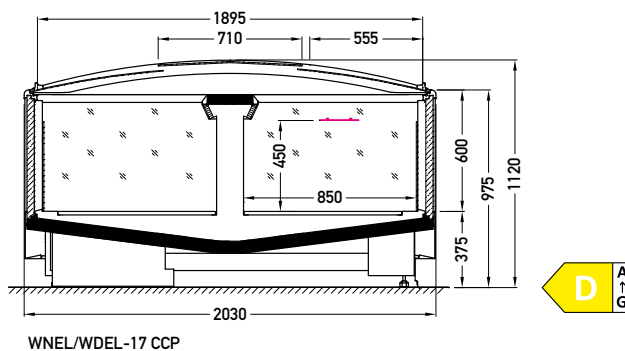
Available options:

- working temperature: from -25°C to -21°C
- hot gas defrosting
- automatic evaporation of condensate
- electronic controller with temperature indicator
- **energy saving fans**
- exposition: zinc-plated steel, powder coated in white (RAL 9003)
- thermopane glass (4 side glass)
- colour of the base black (RAL 9005)
- without sidewalls (optionally)
- LEDit lighting (optionally)

Elbrus WNEL-17 2500 CCP + 1895G CCP



Cross sections:



Available modules: 2500 3750
1895G



PLUG-IN → ISLANDS

Dolomiti WMDO-03 2500

CCS | CCP



Module:

2500



Refrigerant:

R290



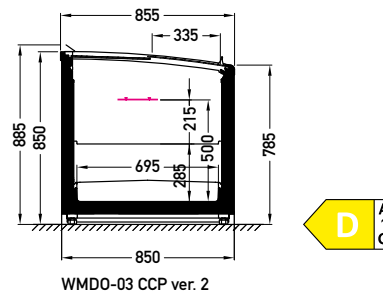
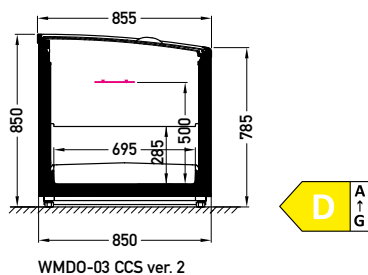
Available options:

- working temperature: from -25°C to -21°C
- hot gas defrosting
- automatic evaporation of condensate
- electronic controller with temperature indicator
- **energy saving fans**
- exposition: side and bottom wire shelves, powder coated
- colour of the front and base white (RAL 9003)
- flat front bumper; in module TG flat front and side bumper
- **lighting: in the handrail, LEDit, CW-2**
- integrated sidewalls

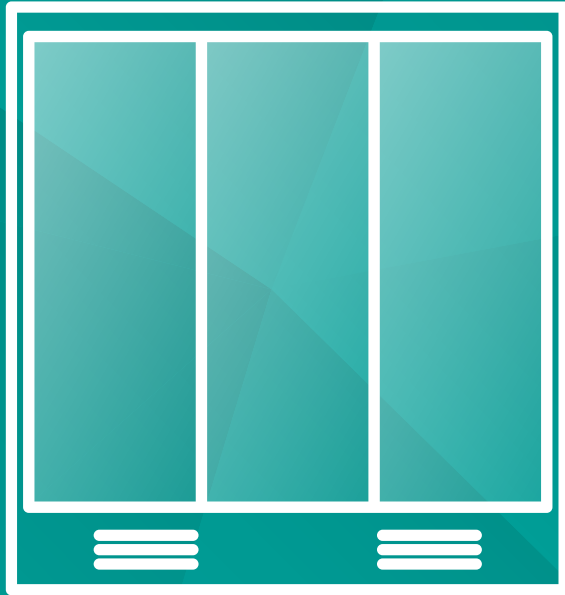
Dolomiti WMDO-03 2500 CCP



Cross sections:



Available modules: 1850 2100 2500
1850G



Freezer

Cabinets

It is typically people with busy lifestyles who are shopping for frozen products. Good arrangement of a store can save a lot of time while shopping. That is why design of our cabinets is about good visibility and ergonomics. Easy to choose – easy to reach. But when there is no perfect match for interior requirements, then the only solution is to mix. Our line of mix cabinets is a customized solution, so you do not have to compromise anymore – you just have a broad range of equipment to choose from.

Designed for natural
(hydrocarbons) refrigerants

GLOBAL WARMING
POTENTIAL (AR4)





PLUG-IN → CABINETS

Wetar SNWE-02 2342 DTO



Module:

2342



Refrigerant:

R290



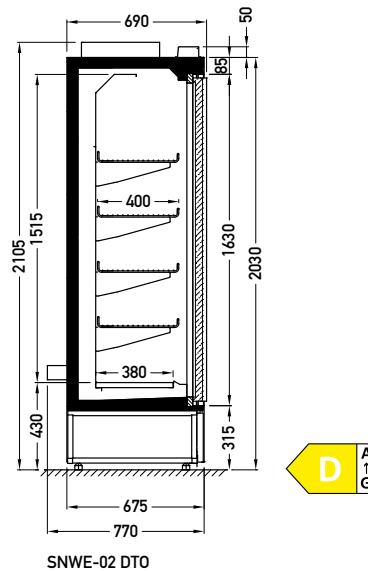
Available options:

- working temperature: from -25°C to -21°C
- hot gas defrosting
- automatic evaporation of condensate
- electronic controller with temperature indicator
- **energy saving fans**
- exposition: zinc-plated steel, powder coated in white (RAL 9003)
- 4 rows of suspended shelves, on shelves and on air inlet price holders 39 mm
- **lighting: vertical in doors frame, LEDit CW-2**
- framed doors without heaters
- without sidewalls (optionally)

Wetar SNWE-02 1564 DTO



Cross sections:



Available modules: 0795 1564 2342



PLUG-IN → CABINETS

Wetar SNWE-04 2342 DTO



Module:

2342



Refrigerant:

R290



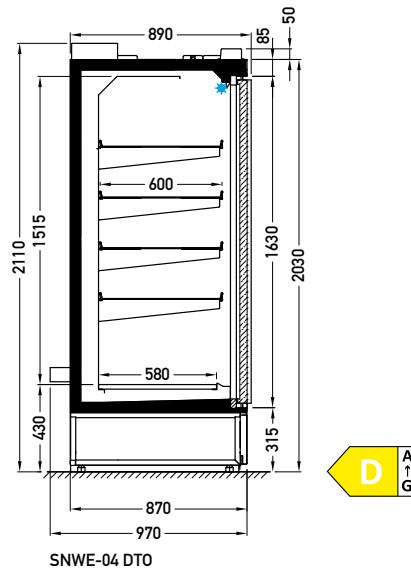
Available options:

- working temperature: from -25°C to -21°C
- hot gas defrosting
- automatic evaporation of condensate
- electronic controller with temperature indicator
- **energy saving fans**
- exposition: zinc-plated steel, powder coated in white (RAL 9003)
- 4 rows of suspended shelves, on shelves and on air inlet price holders 39 mm
- **lighting: vertical in doors frame, LEDit CW-2**
- framed doors without heaters
- without sidewalls (optionally)

Wetar SNWE-04 2342 DTO



Cross sections:



Available modules: 1564 2342



PLUG-IN → CABINETS

Denali SNDE-03/04 2500 DTO



Module:

2500



Refrigerant:

R290



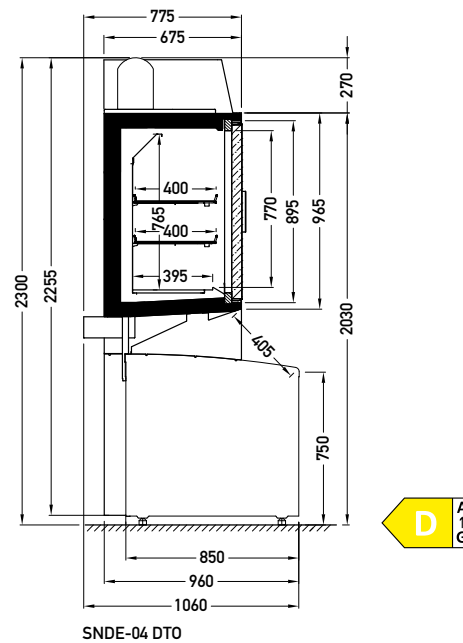
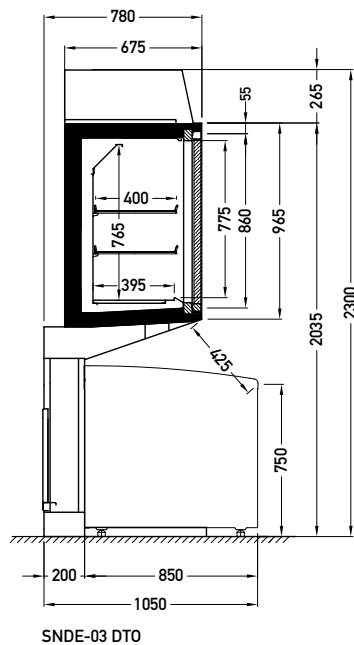
Available options:

- working temperature: from -25°C to -21°C
- hot gas defrosting
- automatic evaporation of condensate
- electronic controller with temperature indicator
- **energy saving fans**
- exposition: zinc-plated steel, powder coated in white (RAL 9003)
- 2 rows of suspended shelves, on shelves and on air inlet price holders 39 mm
- **lighting: vertical in doors frame, LEDit CW-2**
- framed doors without heaters
- sidewalls integrated
- SNDE-03 unit on the steel construction – for use with any freezer island
- SNDE-04 for use with WMDO-03 – only

Denali SNDE-03/04 2500 DTO



Cross sections:



Available modules: 2100 2500



HOT CASES

Counters

Ideal for the busy restaurant or food service outlet, our range of hot cases use hot lamps, heated elements or Bain marie's and can be multiplexed with chilled counters from the same range.



HOT CASES → COUNTERS

Grazia LGGR-28 1250

GSL | BSA



Module:

1250



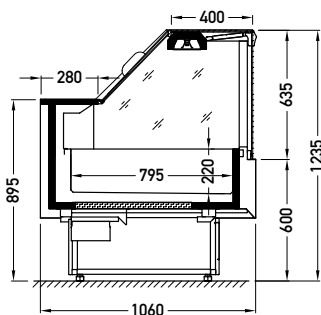
Available options:

- hot cases: Bain Marie / Hot plate
- temperature up to +85°C
- electronic controller with temperature indicator / for Bain Marie additionally a mechanical thermometer at the air inlet
- feature of the heating element – heating plate (for hot case) / heating bath (for Bain Marie)
- lighting panel: IR heating lamp (for GSL)
- exposition: stainless steel H18
- external surfaces (front / base): zinc-plated steel, powder coated
- exposition on a full base
- without sidewalls (optionally)

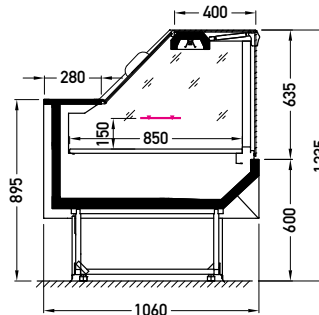
Grazia LGGR-28 1250 GSL Bain Marie



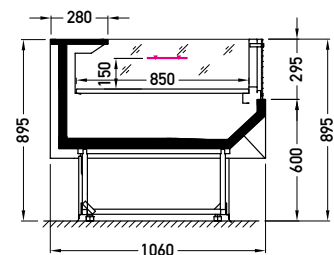
Cross sections:



LGGR-28 GSL
Bain-marie



LGGR-28 GSL
Hot-plate



LGGR-28 BSA
Hot-plate

Available modules: 1250



HOT CASES → COUNTERS

Lhotse LGLH-37 1250 GSL



Module:

1250



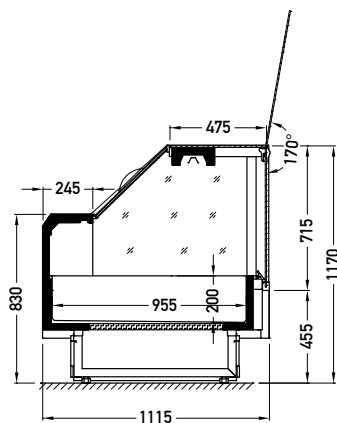
Available options:

- hot cases: Bain Marie / Hot plate
- temperature up to +85°C
- electronic controller with temperature indicator / for Bain Marie additionally a mechanical thermometer at the air inlet
- feature of the heating element – heating plate (for hot case) / heating bath (for Bain Marie)
- lighting panel: IR heating lamp
- exposition: stainless steel H18
- external surfaces (front / base): zinc-plated steel, powder coated
- exposition on a full base
- without sidewalls (optionally)

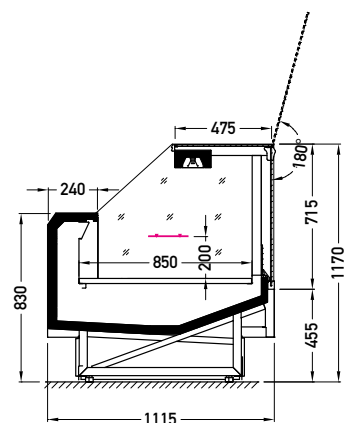
Lhotse LGLH-37 1250 GSL Bain Marie



Cross sections:



LGLH-37 GSL
Bain-marie

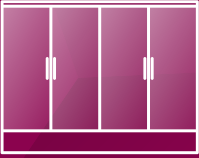


LGLH-37 GSL
Hot-plate

Available modules: Hot plate 0938 1250 1875
Bain-Marie 0938 1250



p. 65



p. 71



p. 81



p. 87



p. 93

REMMOTE



REMEMBER
TO
TALK
TO
THE



Counters

We focus not only on the display of the product, but also ergonomic and multifunctional use. We have created better conditions for product storage, easier cleaning and flexibility in changing the product from with service to self-service.

**Designed for natural
refrigerants**

**GLOBAL WARMING
POTENTIAL (AR4)**





REMOTE → COUNTERS

Lhotse LDLH-12 2500

CSS | BCA



Module:

2500



Refrigerant:

R744



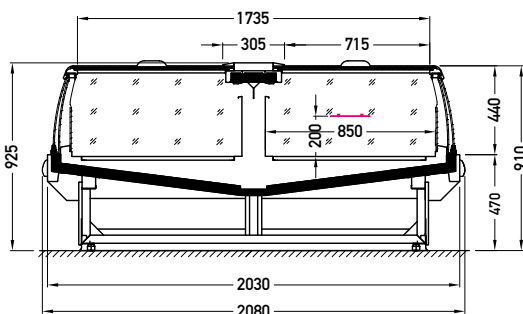
Available options:

- working temperature: from 0°C to 2°C
- electrical defrosting
- mechanical expansion valve for HFC; for R744 units electronic expansion valve
- 2 x NTC temperature probe
- siphoned condensate drains
- 2 exposition: zinc-plated steel, powder coated in white (RAL 9003)
- worktop: linen stainless steel
- LEDit lighting (optionally)
- exposition on the full base
- mechanical night blind in cassette for version BCA
- cascade 3-levels zinc steel (RAL 9003) for version BCA
- without sidewalls (optionally)

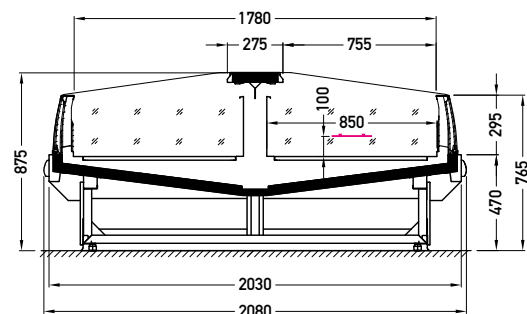
Lhotse LDLH-12 1875 BCA



Cross sections:



LDLH-12 CSS



LDLH-12 BCA

Available modules: 1875 2500 3750
1930G



REMOTE → COUNTERS

Lhotse LDLH-36 1250 GSP



Module:

1250



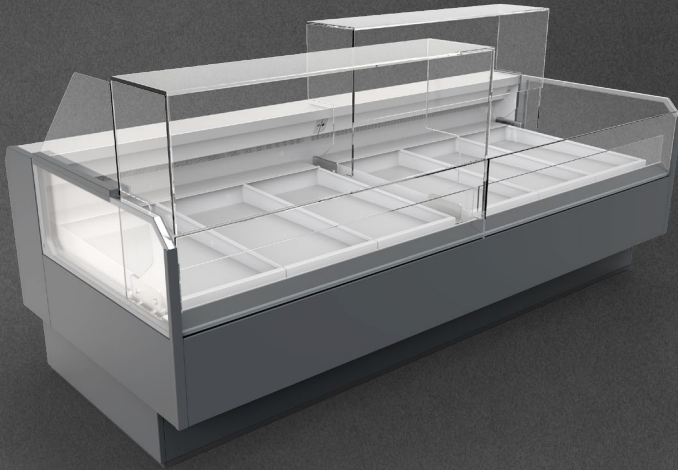
Refrigerant:

R744



Available options:

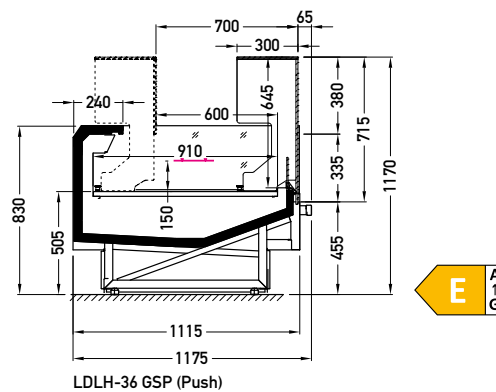
- working temperature: from 0°C to 2°C
- electrical defrosting
- mechanical expansion valve for HFC; for R744 units electronic expansion valve
- 2 x NTC temperature probe
- **energy saving fans**
- siphoned condensate drains
- exposition: zinc-plated steel, powder coated in white (RAL 9003)
- worktop: linen stainless steel
- without a possibility to install lighting
- exposition on a full base
- without sidewalls (optionally)



Lhotse LDLH 36 2500 GSP



Cross sections:



LDLH-36 GSP (Push)

Available modules: 1250 1875 2500 3750



REMOTE → COUNTERS

Lhotse LDLH-37 0938

GSL | BSA



Module:

0938



Refrigerant:

R744



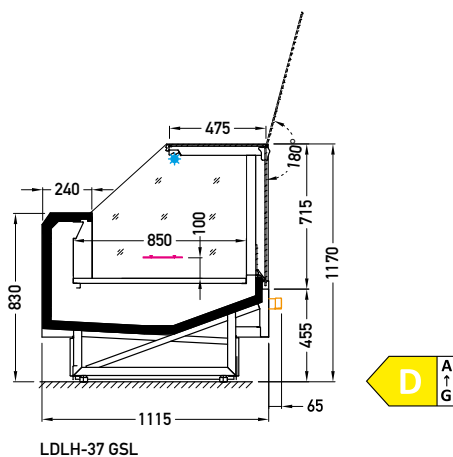
Available options:

- working temperature – straight and corner NZC/ NZS GSL from 0°C to 2°C; corner NZC/NZS BSA from 2°C to 4°C (with cascade from 0°C to 2°C); corner NWS from 4°C to 8°C
- electrical defrosting
- mechanical expansion valve for HFC; for R744 units electronic expansion valve
- 2 x NTC temperature probe
- siphoned condensate drains
- exposition: zinc-plated steel, powder coated in white (RAL 9003)
- worktop: linen stainless steel
- LEDit lighting (optionally)
- exposition on a full base
- without sidewalls (optionally)

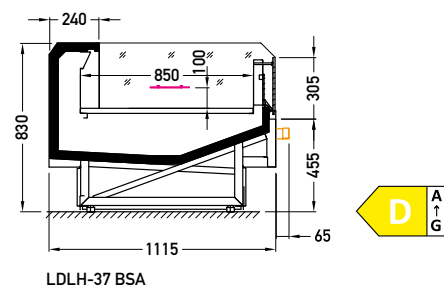
Lhotse LDLH-37 2500 GSL



Cross sections:



LDLH-37 GSL



LDLH-37 BSA

Available modules: 0938 1250 1875 2150 2500 3750
NW45 NW90 NZC45 NZS45 NZS90



REMOTE → COUNTERS

Lhotse LDLH-47 1250

GCL | BCA



Module:

1250



Refrigerant:

R744



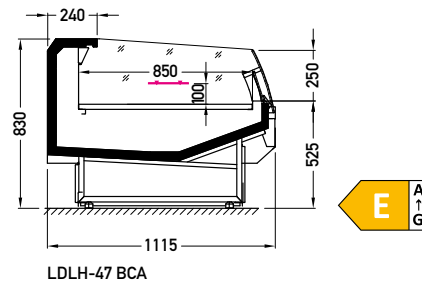
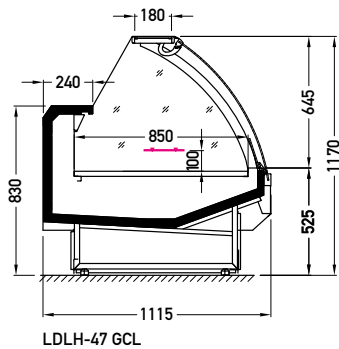
Available options:

- working temperature – straight module: from 0°C to 2°C; corner nodules from 4°C to 8°C
- electrical defrosting
- mechanical expansion valve for HFC; for R744 units electronic expansion valve
- 2 x NTC temperature probe
- siphoned condensate drains
- exposition: zinc-plated steel, powder coated in white (RAL 9003)
- worktop: linen stainless steel
- LEDit lighting (optionally)
- expositions full base
- without sidewalls (optionally)

Lhotse LDLH-47 2500 GCL



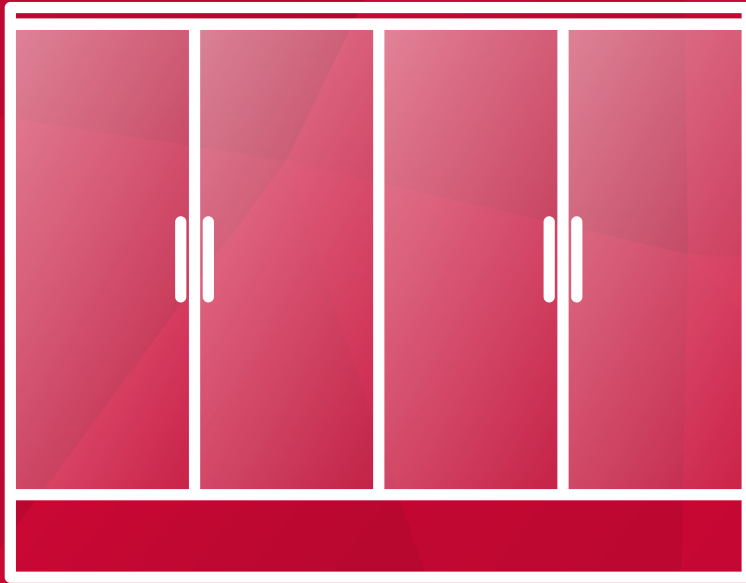
Cross sections:



Available modules:	BCA	1250	1875	2150	2500	3750	
	GCL	0938	1250	1875	2150	2500	3750
	BCA GCL	NW45	NW90	NZ45	NZ90		



REMMOTE



Multidecks

Our desire for continuous improvement and innovation has led us to develop systems and solutions that reduce environmental impact. That is why we have developed a system that eliminates defrost cycle and lowers the energy use.

**Designed for natural
refrigerants**

**GLOBAL WARMING
POTENTIAL (AR4)**





REMOTE → MULTIDECKS

Gerlach 2.0 RDGH-H2/H3/H4 1250 DVO



Gerlach 2.0 RDGH-H2 2500 DVO



Module:

1250



Refrigerant:

R744

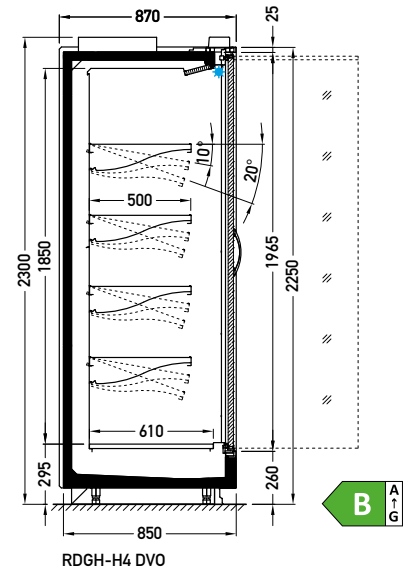
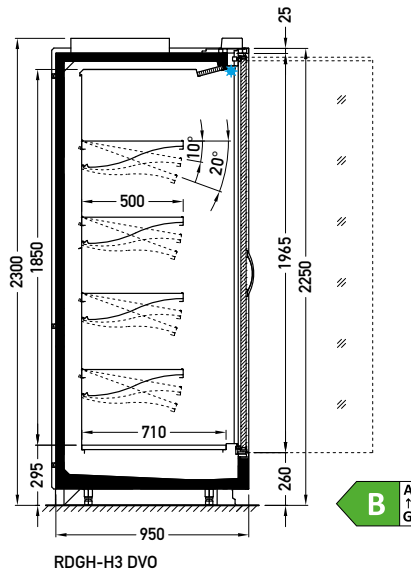
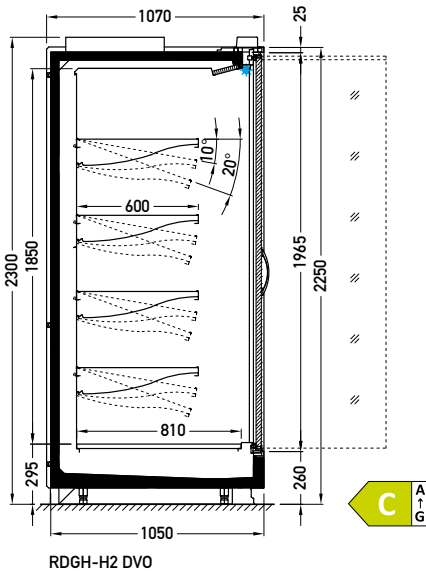


Available options:

- working temperature: from 0°C to 2°C
- natural defrosting
- mechanical expansion valve for HFC; for R744 units electronic expansion valve
- 2 x NTC temperature probe
- siphoned condensate drains
- exposition: zinc-plated steel, powder coated in white (RAL 9003)
- 4 rows of suspended shelves, on shelves and on air inlet price holders 39 mm
- **lighting: top, LEDit, colour NW-4**
- color of the base – black (RAL 9005)
- grey PVC bumper on the front of the unit
- without sidewalls (optionally)



Cross sections:



Available modules: 1250 1875 2150 2500 3750



REMOTE → MULTIDECKS

Gerlach 2.0 RDGH-H2/H3/H4 2500 XXX



Module:

2500



Refrigerant:

R744



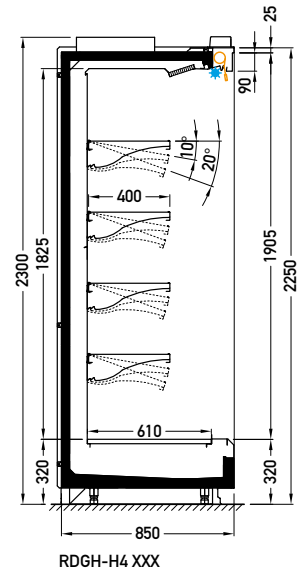
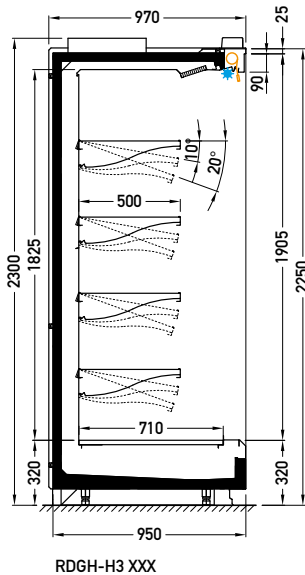
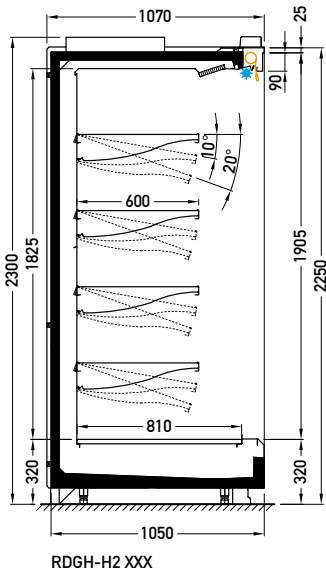
Available options:

- working temperature: from 0°C to 2°C
- natural defrosting
- mechanical expansion valve for HFC; for R744 units electronic expansion valve
- 2 x NTC temperature probe
- siphoned condensate drains
- exposition: zinc-plated steel, powder coated in white (RAL 9003)
- 4 rows of suspended shelves, on shelves and on air inlet price holders 39 mm
- **lighting: top, LEDit, colour NW-4**
- color of the base – black (RAL 9005)
- grey PVC bumper on the front of the unit
- without sidewalls (optionally)
- mechanical night blind

Gerlach 2.0 RDGH-H2 2500 XXX



Cross sections:



Available modules: 1250 1875 2150 2500 3750



REMOTE → MULTIDECKS

Gerlach 2.0 RDGH-L2/L3/L4 1250 DVO



Gerlach 2.0 RDGH-L2 2500 DVO



Module:

1250



Refrigerant:

R744

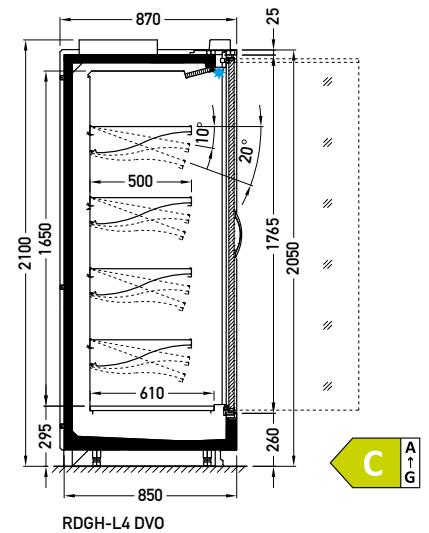
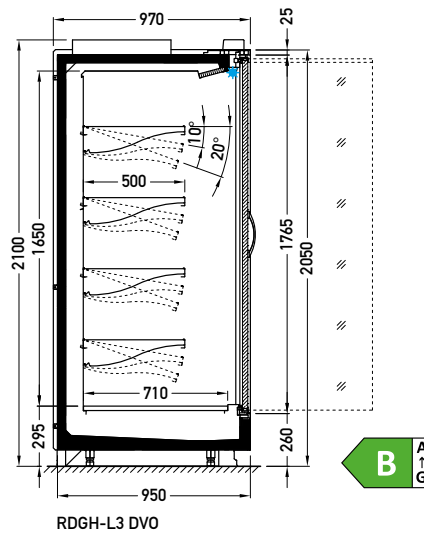
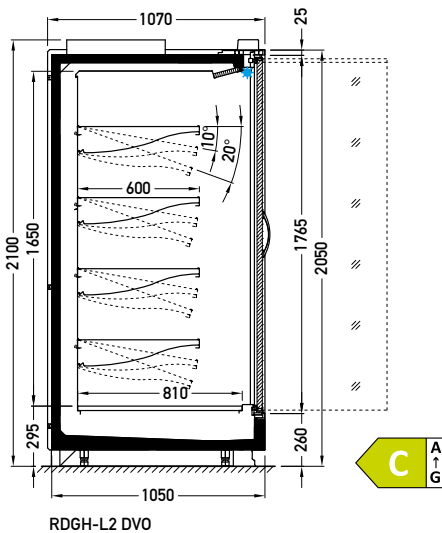


Available options:

- working temperature: from 0°C to 2°C
- natural defrosting
- mechanical expansion valve for HFC; for R744 units electronic expansion valve
- 2 x NTC temperature probe
- siphoned condensate drains
- exposition: zinc-plated steel, powder coated in white (RAL 9003)
- 4 rows of suspended shelves, on shelves and on air inlet price holders 39 mm
- **lighting: top, LEDit, colour NW-4**
- color of the base – black (RAL 9005)
- grey PVC bumper on the front of the unit
- without sidewalls (optionally)



Cross sections:



Available modules: 1250 1875 2150 2500 3750



REMOTE → MULTIDECKS

Gerlach 2.0 RDGH-L2/L3/L4 1250

XXX



Module:

1250



Refrigerant:

R744



Available options:

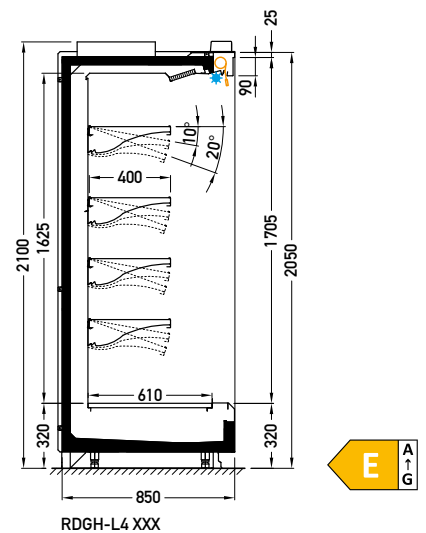
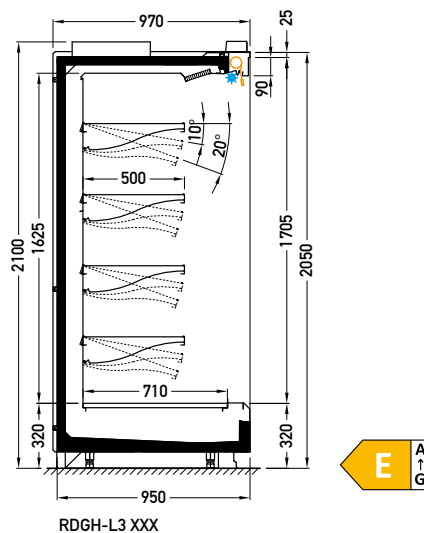
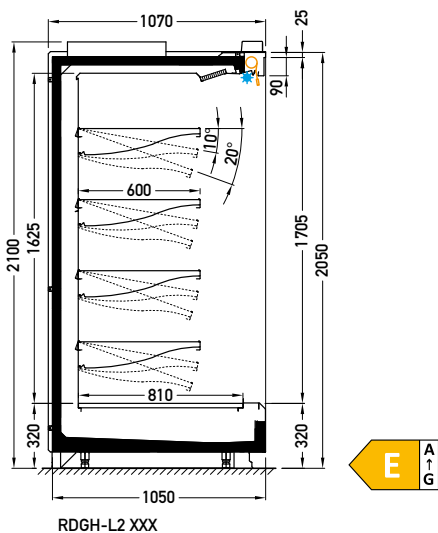
- working temperature: from 0°C to 2°C
- natural defrosting
- mechanical expansion valve for HFC; for R744 units electronic expansion valve
- 2 x NTC temperature probe
- siphoned condensate drains
- exposition: zinc-plated steel, powder coated in white (RAL 9003)
- 4 rows of suspended shelves, on shelves and on air inlet price holders 39 mm
- **lighting: top, LEDit, colour NW-4**
- color of the base – black (RAL 9005)
- grey PVC bumper on the front of the unit
- without sidewalls (optionally)
- mechanical night blind



Gerlach 2.0 RDGH-L2 2500 XXX



Cross sections:



Available modules: 1250 1875 2150 2500 3750



REMOTE → MULTIDECKS

Iberg 2.0 RDIG-H1/H2 2500 DVO



Iberg 2.0 RDIG-H2 2500 DVO



Module:

2500



Refrigerant:

R744

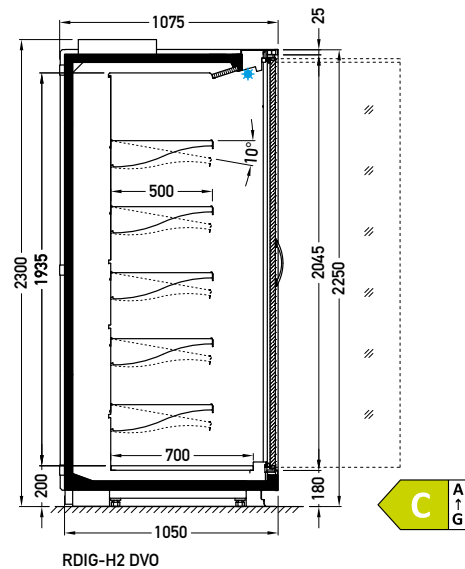
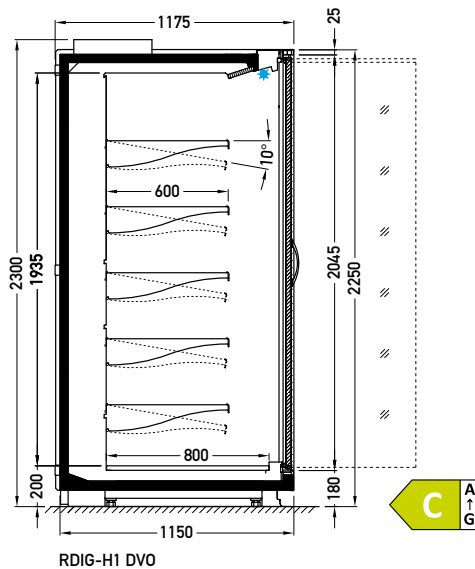


Available options:

- working temperature: from 0°C to 2°C
- natural defrosting
- mechanical expansion valve for HFC; for R744 units electronic expansion valve
- 2 x NTC temperature probe
- siphoned condensate drains
- exposition: zinc-plated steel, powder coated in white (RAL 9003)
- 5 rows of suspended shelves, on shelves and on air inlet price holders 39 mm
- **lighting: top, LEDit, NW-4**
- color of the base – black (RAL 9005)
- grey PVC bumper on the front of the unit
- without sidewalls (optionally)



Cross sections:



Available modules: 1250 1875 2150 2500 3750



REMOTE → MULTIDECKS

Iberg 2.0 RDIG-H1/H2 2500 BDA



Iberg 2.0 RDIG-H2 2500 BDA



Module:

2500



Refrigerant:

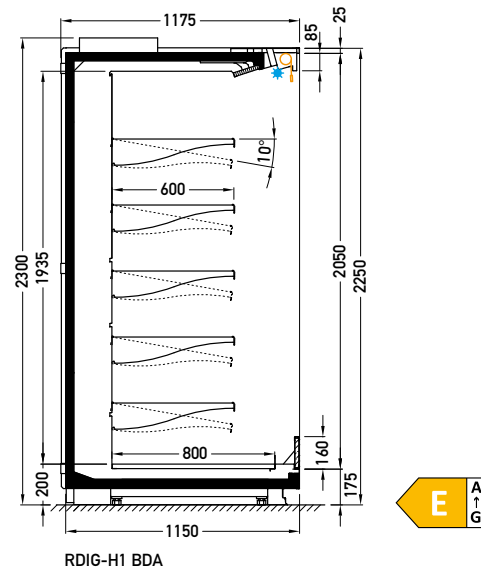
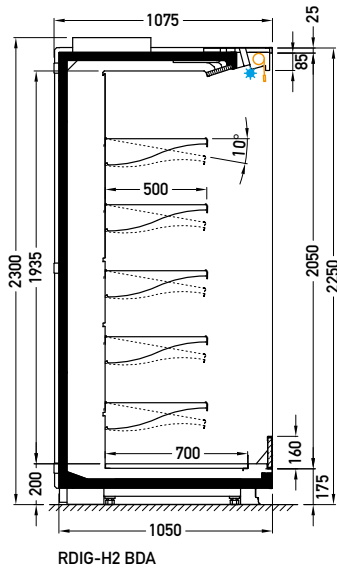
R744



Available options:

- working temperature: from 0°C to 2°C
- natural defrosting
- mechanical expansion valve for HFC; for R744 units electronic expansion valve
- 2 x NTC temperature probe
- siphoned condensate drains
- exposition: zinc-plated steel, powder coated in white (RAL 9003)
- 5 rows of suspended shelves, on shelves and on air inlet price holders 39 mm
- **lighting: top, LEDit, NW-4**
- color of the base – black (RAL 9005)
- grey PVC bumper on the front of the unit
- without sidewalls (optionally)
- mechanical night blind

Cross sections:



Available modules: **H1** 1250 1875 2150 2500 3750
H2 2500 3750



REMOTE → MULTIDECKS

Iberg 2.0 RDIG-L1/L2 2500 DVO



Iberg 2.0 RDIG-L1 2500 DVO



Module:

2500



Refrigerant:

R744

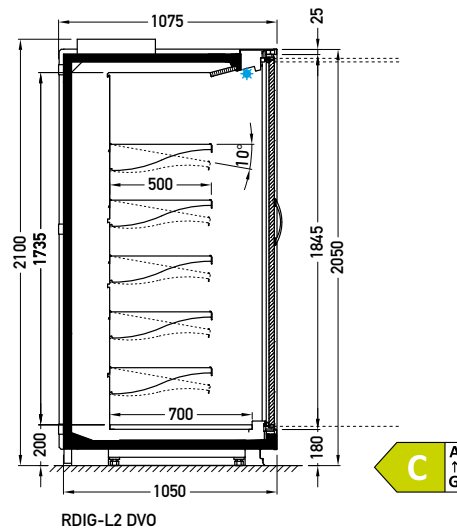
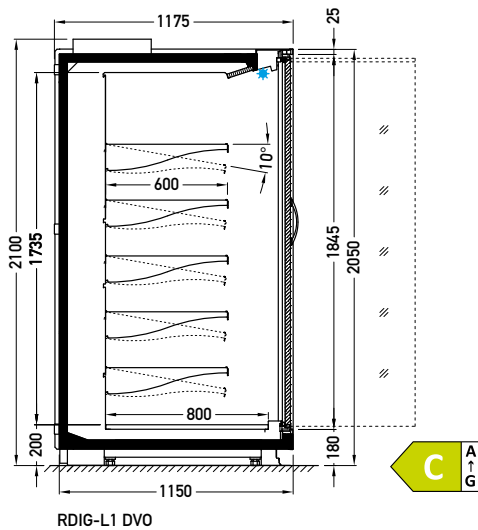


Available options:

- working temperature: from 0°C to 2°C
- natural defrosting
- mechanical expansion valve for HFC; for R744 units electronic expansion valve
- 2 x NTC temperature probe
- siphoned condensate drains
- exposition: zinc-plated steel, powder coated in white (RAL 9003)
- 5 rows of suspended shelves, on shelves and on air inlet price holders 39 mm
- **lighting: top, LEDit, NW-4**
- color of the base – black (RAL 9005)
- grey PVC bumper on the front of the unit
- without sidewalls (optionally)



Cross sections:



Available modules: 2500 3750



REMOTE → MULTIDECKS

Iberg 2.0 RDIG-L1/L2 2500 BDA



Iberg 2.0 RDIG-L1 2500 BDA



Module:

2500



Refrigerant:

R744

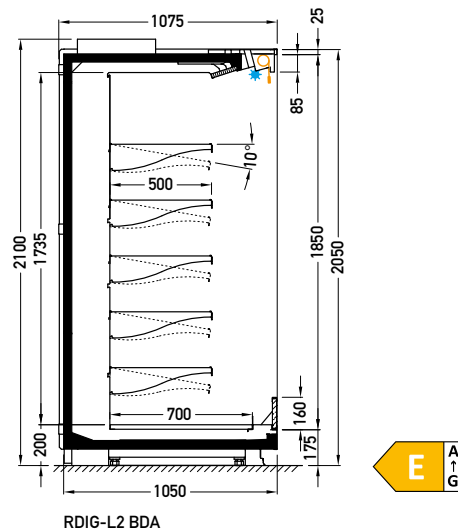
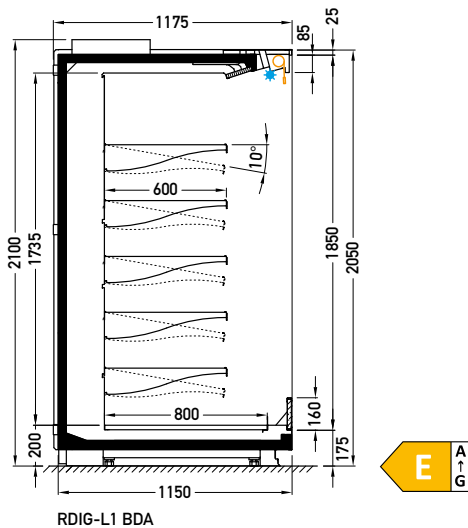


Available options:

- working temperature: from 0°C to 2°C
- natural defrosting
- mechanical expansion valve for HFC; for R744 units electronic expansion valve
- 2 x NTC temperature probe
- siphoned condensate drains
- exposition: zinc-plated steel, powder coated in white (RAL 9003)
- 5 rows of suspended shelves, on shelves and on air inlet price holders 39 mm
- **lighting: top, LEDit, NW-4**
- color of the base – black (RAL 9005)
- grey PVC bumper on the front of the unit
- without sidewalls (optionally)
- mechanical night blind



Cross sections:



Available modules: 2500 3750



REMOTE → MULTIDECKS

Kaukaz RDKA-11 1250

DVO | DDS | XXX



Kaukaz RDKA-11 2500 XXX



Module:

1250



Refrigerant:

R744

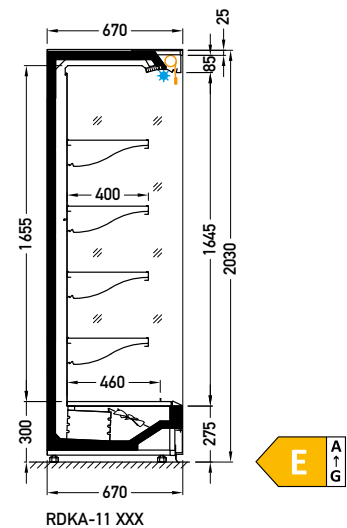
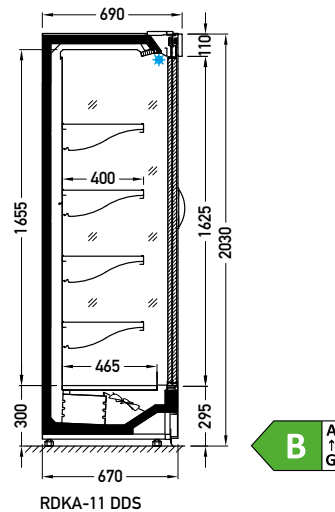
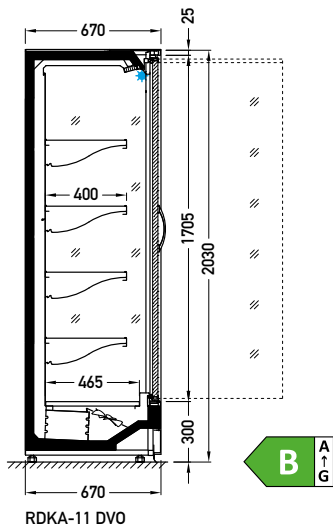


Available options:

- working temperature: from 0°C to 2°C
- natural defrosting
- mechanical expansion valve for HFC; for R744 units electronic expansion valve
- 2 x NTC temperature probe
- siphoned condensate drains
- exposition: zinc-plated steel, powder coated in white (RAL 9003)
- 4 rows of suspended shelves, on shelves and on air inlet price holders 39 mm
- **lighting: top, LEDit, NW-4**
- color of the base – black (RAL 9005)
- grey PVC bumper on the front of the unit
- without sidewalls (optionally)
- mechanical night blind for version XXX

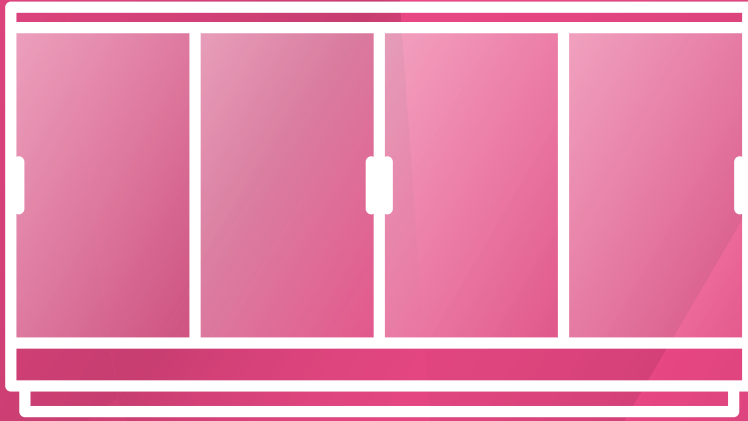


Cross sections:



Available modules: **DVO DDS** 1250 1875 2150 2500 3750
XXX 0900 1000 1250 1875 2150 2500 3750

REMOVÉ

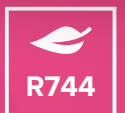


Semi Vertical **Multidecks**

This range of lower height multidecks has been designed to combine compact size and large display area. This solution provides a variety of options for store layout.

Designed for natural refrigerants

GLOBAL WARMING
POTENTIAL (AR4)





REMOTE → SEMI-VERTICAL MULTIDECKS

Andy RDAN-15 2500

DBS | DDS | XXX



Module:

2500



Refrigerant:

R744



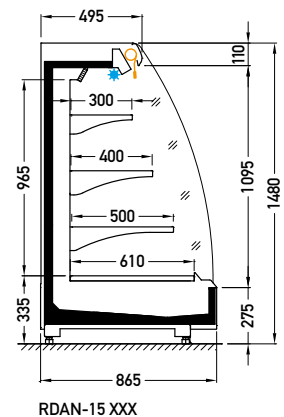
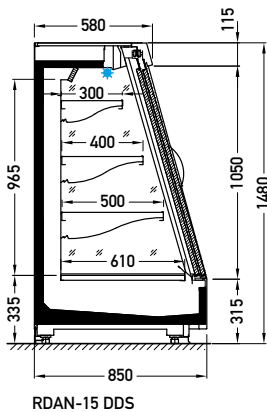
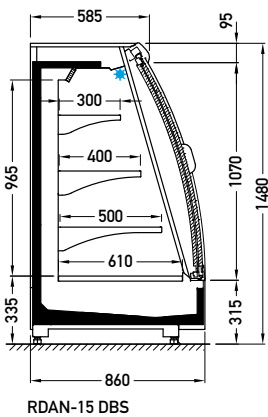
Available options:

- working temperature, straight module: from 0°C to 2°C; corner module: from 4°C to 8°C
- natural defrosting
- mechanical expansion valve for HFC; for R744 units electronic expansion valve
- 2 x NTC temperature probe
- siphoned condensate drains
- exposition: zinc-plated steel, powder coated in white (RAL 9003)
- 3 rows of suspended shelves, on shelves and on air inlet price holders 39 mm
- **lighting: top, LEDit, NW-4**
- color of the base – black (RAL 9005)
- grey PVC bumper on the front of the unit
- without sidewalls (optionally)
- mechanical night blind for version XXX

Andy RDAN-15 2500 DDS



Cross sections:



Available modules:	DDS	XXX	1250	1875	2150	2500	3750
	DBS		1250	1875	2500	3750	
	BSA		NZ180				



REMOTE → SEMI-VERTICAL MULTIDECKS

Andy RDAN-22 2500

DBS | XXX



Module:

2500



Refrigerant:

R744



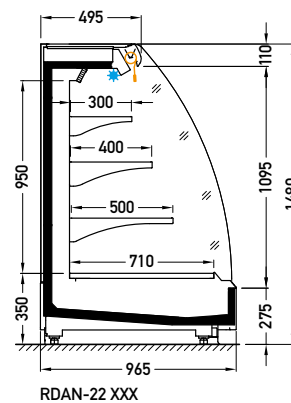
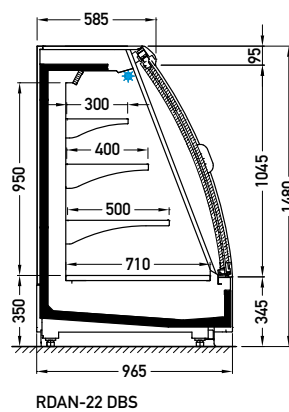
Available options:

- working temperature: from 0°C to 2°C
- natural defrosting
- mechanical expansion valve for HFC; for R744 units electronic expansion valve
- 2 x NTC temperature probe
- siphoned condensate drains
- exposition: zinc-plated steel, powder coated in white (RAL 9003)
- 3 rows of suspended shelves, on shelves and on air inlet price holders 39 mm
- **lighting: top, LEDit, NW-4**
- color of the base – black (RAL 9005)
- grey PVC bumper on the front of the unit
- without sidewalls (optionally)
- mechanical night blind for version XXX

Andy RDAN-22 2500 XXX



Cross sections:



Available modules: 1250 1875 2150 2500 3750



REMOTE → SEMI-VERTICAL MULTIDECKS

Andy RDAN-23 2500

DDS | BCA



Module:

2500



Refrigerant:

R744



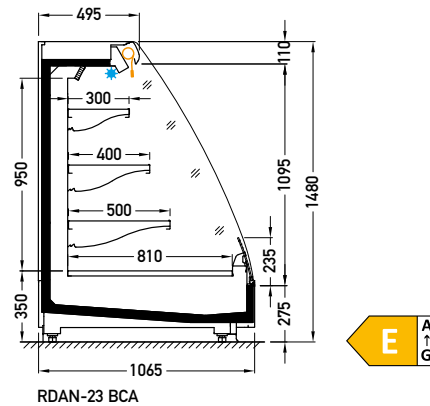
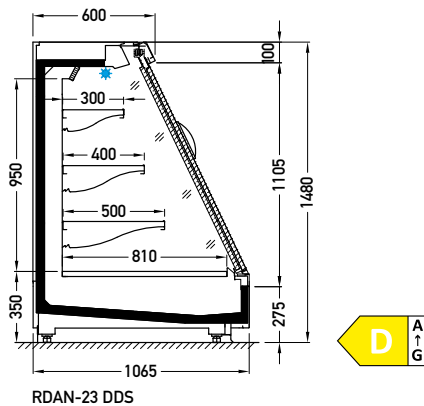
Available options:

- working temperature: from 0°C to 2°C
- natural defrosting
- mechanical expansion valve for HFC; for R744 units electronic expansion valve
- 2 x NTC temperature probe
- siphoned condensate drains
- exposition: zinc-plated steel, powder coated in white (RAL 9003)
- 3 rows of suspended shelves, on shelves and on air inlet price holders 39 mm
- **lighting: top, LEDit, NW-4**
- color of the base – black (RAL 9005)
- grey PVC bumper on the front of the unit
- without sidewalls (optionally)
- mechanical night blind for version BCA

Andy RDAN-23 2500 BCA



Cross sections:



Available modules: **BCA** 1250 1875 2150 2500 3750
DDS 2150 2500 3750



REMOTE → SEMI-VERTICAL MULTIDECKS

Andy RDAN-31 1250

BSA



Andy RDAN-31 1250 BSA



Module:

1250



Refrigerant:

R744

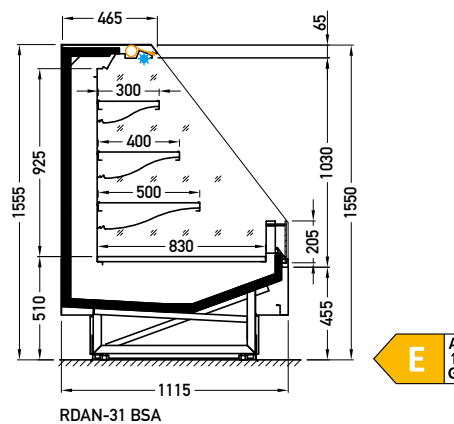


Available options:

- working temperature, straight module: from 0°C to 2°C
- natural defrosting
- mechanical expansion valve for HFC; for R744 units electronic expansion valve is not included in the price – should be calculated additionally
- 2 x NTC temperature probe
- siphoned condensate drains
- exposition: zinc-plated steel, powder coated in white (RAL 9003)
- 3 rows of suspended shelves, on shelves and on air inlet price holders 39 mm
- **lighting: top, LEDit, NW-4**
- color of the base – black (RAL 9005)
- without sidewalls (optionally)
- mechanical night blind



Cross sections:



Available modules: 1250 1875 2500 3750



REMOTE → SEMI-VERTICAL MULTIDECKS

Andy RDAN-37 1250

BSA



Module:

1250



Refrigerant:

R744



Available options:

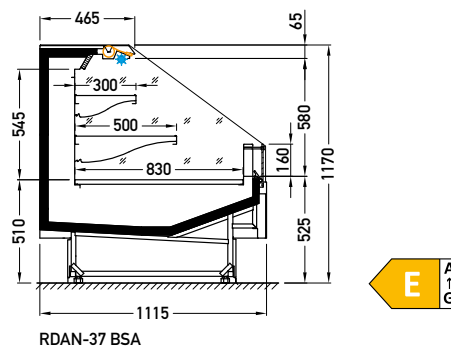
- working temperature, straight module: from 0°C to 2°C
- natural defrosting
- mechanical expansion valve for HFC; for R744 units electronic expansion valve is not included in the price – should be calculated additionally
- 2 x NTC temperature probe
- siphoned condensate drains
- exposition: zinc-plated steel, powder coated in white (RAL 9003)
- 2 rows of suspended shelves, on shelves and on air inlet price holders 39 mm
- **lighting: top, LEDit, NW-4**
- color of the base – black (RAL 9005)
- without sidewalls (optionally)
- mechanical night blind



Andy RDAN-37 2500 BSA



Cross sections:



Available modules: 1250 2500 3750

REMEMOTE



Islands

These are best adapted for spaces, where you do not want to obscure the view. We constantly improve the design of our equipment and we managed to create better side visibility, easier combining into lines, better service access for some parts and better design capabilities with painted vertical corner profiles.

**Designed for natural
refrigerants**

**GLOBAL WARMING
POTENTIAL (AR4)**





REMOTE → ISLANDS

Everest WNEV-06 2500

CCP | XXX



Module:

2500



Refrigerant:

R744



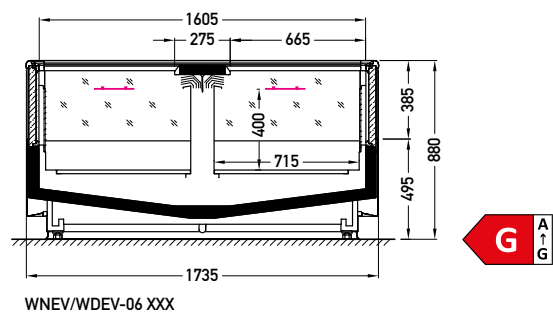
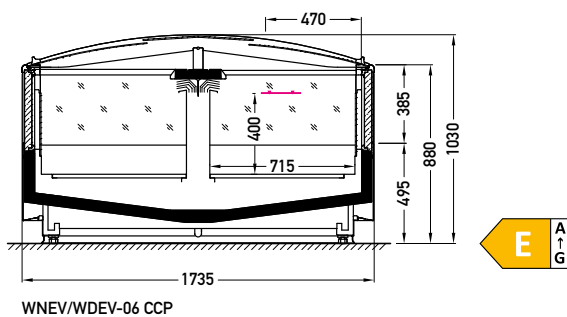
Available options:

- double island (one evaporator per module)
- working temperature: from -25°C to -21°C
- electrical defrosting
- mechanical expansion valve for HFC; for R744 units electronic expansion valve
- 2 x NTC temperature probe
- siphoned condensate drains
- thermopane glass
- exposition: zinc-plated steel, powder coated in white (RAL 9003)
- color of the base – black (RAL 9005)
- bumper (optionally)
- without sidewalls – sidewalls optionally (for WNEV-06-1605G sidewalls integrated)
- LEDit lighting (optionally)

Everest WNEV-06 2500 CCP



Cross sections:



Available modules: 1875 2500 3750
1605G



REMOTE → ISLANDS

Everest WNEV-17 2500 CCP



Module:

2500



Refrigerant:

R744



Available options:

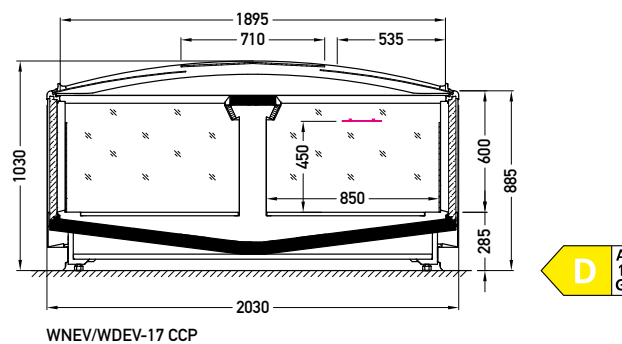
- double island (one evaporator per module)
- working temperature: from -25°C to -21°C
- electrical defrosting
- mechanical expansion valve for HFC; for R744 units electronic expansion valve
- 2 x NTC temperature probe
- siphoned condensate drains
- thermopane glass
- exposition: zinc-plated steel, powder coated in white (RAL 9003)
- color of the base – black (RAL 9005)
- bumper (optionally)
- without sidewalls – sidewalls optionally (for WNEV-07-1895G sidewalls integrated)
- LEDit lighting (optionally)



Everest WNEV-17 2500 CCP



Cross sections:



Available modules: 1875 2500 3750
1895G



REMOTE → ISLANDS

Everest WNEV-27 2500 CCP



Module:

2500



Refrigerant:

R744



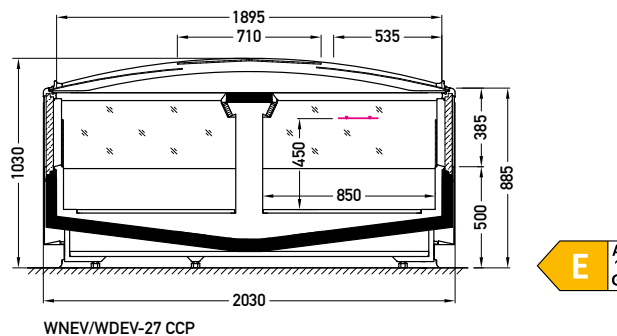
Available options:

- double island (one evaporator per module)
- working temperature: from -25°C to -21°C
- electrical defrosting
- mechanical expansion valve for HFC; for R744 units electronic expansion valve
- 2 x NTC temperature probe
- siphoned condensate drains
- thermopane glass
- exposition: zinc-plated steel, powder coated in white (RAL 9003)
- color of the base – black (RAL 9005)
- bumper (optionally)
- without sidewalls – sidewalls optionally (for WNEV-27-1895G sidewalls integrated)
- LEDit lighting (optionally)

Everest WNEV-27 2500 CCP



Cross sections:



Available modules: 1875 2500 3750
1895G



REMOTE → ISLANDS

Idea WNID-04 2500

CCP | CSS | XXX



Module:

2500



Refrigerant:

R744



Available options:

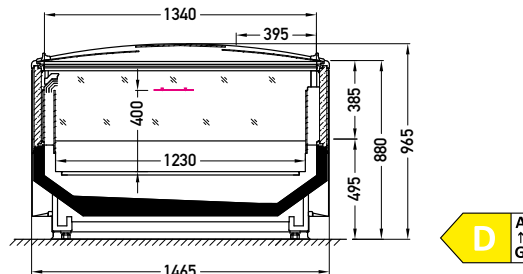
- working temperature: from -25°C to -21°C
- electrical defrosting
- mechanical expansion valve for HFC; for R744 units electronic expansion valve
- 2 x NTC temperature probe
- siphoned condensate drains
- thermopane glass
- exposition: zinc-plated steel, powder coated in white (RAL 9003)
- color of the base – black (RAL 9005)
- bumper (optionally)
- without sidewalls – sidewalls optionally (for WNID-04-1340G sidewalls integrated)
- LEDit lighting (optionally)



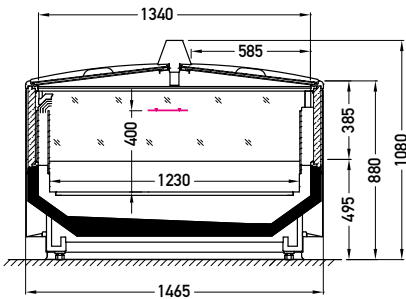
Idea WNID-04 2500 CSS



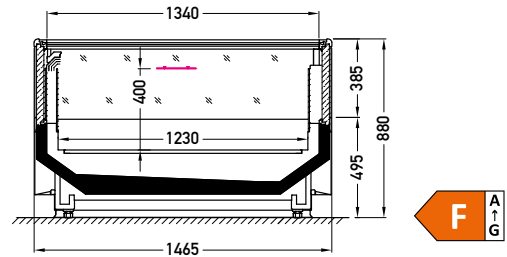
Cross sections:



WNID/WDID-04 CCP



WNID/WDID-04 CSS



WNID/WDID-04 XXX

Available modules: 1875 2500 3750
1340G



REMOTE → ISLANDS

Idea WNID-05 2500

CCS | XXX



Module:

2500



Refrigerant:

R744



Available options:

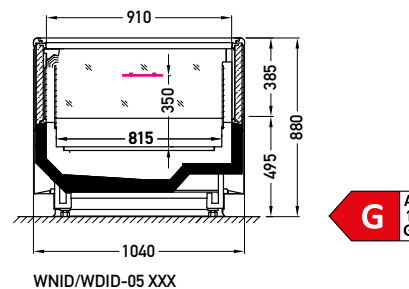
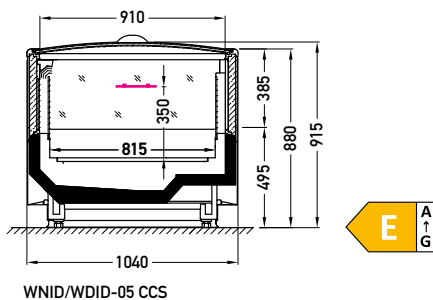
- working temperature: from -25°C to -21°C
- electrical defrosting
- mechanical expansion valve for HFC; for R744 units electronic expansion valve
- 2 x NTC temperature probe
- siphoned condensate drains
- thermopane glass
- exposition: zinc-plated steel, powder coated in white (RAL 9003)
- color of the base – black (RAL 9005)
- bumper (optionally)
- without sidewalls (optionally)
- LEDit lighting (optionally)



Idea WNID-05 2500 CCS



Cross sections:



Available modules: 1875 2500 3750

REMOOTE



Cabinets

It is typically people with busy lifestyles who are shopping for frozen products. Good arrangement of a store can save a lot of time while shopping. That is why design of our cabinets is about good visibility and ergonomics. Easy to choose – easy to reach. But when there is no perfect match for interior requirements, then the only solution is to mix. Our line of mix cabinets is a customized solution, so you do not have to compromise anymore – you just have a broad range of equipment to choose from.

**Designed for natural
refrigerants**

**GLOBAL WARMING
POTENTIAL (AR4)**





REMOTE → CABINETS

Glacier SNGL-H/L 2342 DTO



Glacier SNGL-L3 2342 DTO



Module:

2342



Refrigerant:

R744

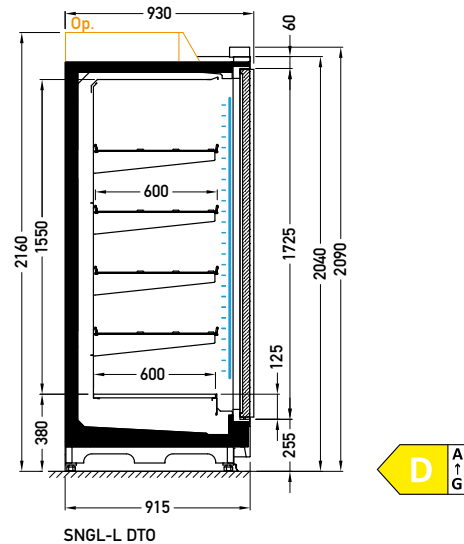
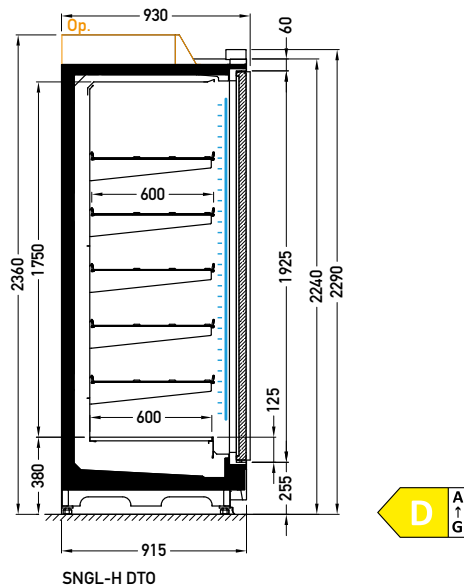


Available options:

- working temperature: from -25°C to -21°C
- electrical defrosting
- mechanical expansion valve for HFC; for R744 units electronic expansion valve
- 2 x NTC temperature probe
- **energy saving fans**
- siphoned condensate drains
- 5 rows of suspended mesh shelves, on shelves and on air inlet price holders 39 mm
- exposition: zinc-plated steel, powder coated in white (RAL 9003)
- **lighting: vertical in doors frame, LEDit CW-2**
- **framed doors without heaters**
- perspex divider between doors
- color of the base – black (RAL 9005)
- bumper (optionally)
- without sidewalls (optionally)



Cross sections:



Available modules: **H2-1564 H3-2342 H4-3123 H5-3898**
L2-1564 L3-2342 L4-3123 L5-3898



REMOTE → CABINETS

Mix MNMY-H2/L2 2500 CCP



Mix MNMY-H2 2500 CCP



Module:

2500



Refrigerant:

R744

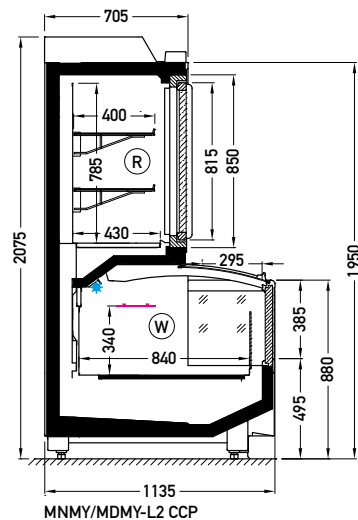
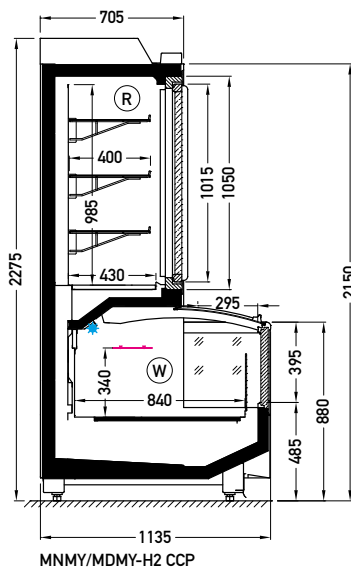


Available options:

- working temperature: from -25°C to -21°C
- electrical defrosting
- mechanical expansion valve for HFC; for R744 units electronic expansion valve
- 2 NTC temperature probes
- siphoned condensate drains
- 3 rows of suspended mesh shelves, on shelves and on air inlet price holders 39 mm
- exposition: zinc-plated steel, powder coated in white (RAL 9003)
- lighting of „R” part: in doors frame, vertical, covered – LEDit CW-2
- lighting of „W” part: horizontal, single panel, covered – LEDit CW-2
- framed doors without heaters
- color of the base – black (RAL 9005)
- bumper (optionally)
- without sidewalls (optionally)



Cross sections:










Available modules: 1875 2500 3750

Energy efficiency classes

The energy efficiency class of a refrigerating appliance with a direct sales function shall be determined on the basis of its EEI as set out in Table.

Energy efficiency classes of refrigerating appliances with a direct sales function

ENERGY EFFICIENCY CLASS	EEI
	$EEI < 10$
	$10 \leq EEI < 20$
	$20 \leq EEI < 35$
	$35 \leq EEI < 50$
	$50 \leq EEI < 65$
	$65 \leq EEI < 80$
	$EEI \geq 80$

Designation of the energy efficiency class is dedicated to a particular products, which are presented on each page of the catalogue. Indicated energy efficiency class depends on a module type, equipment, glassing version and type of a refrigerant. Amendment of each of the said parameters may cause amendment of the energy efficiency class. Contact the manufacturer to acknowledge the energy efficiency class for the product with different parameters to those presented in the catalogue.



Products shown in the catalogue are just examples and do not constitute an offer as such.
The manufacturer reserves the right to alter the features and technical specifications of its products.
If it is not clearly defined temperature ranges presented in this document are for shop conditions
(20C/50RH).



